

OM 107 L/24 KH (K2400AVD V-Twin) Cat. 2018 Garden tractor



Documents

Engine

Front axle

Steering arm

Mowing control

Hood (1/3)

Electrical parts

Dashboard

Hood (2/3)

Mowing deck (1/2)

Hood (3/3)

Clutch

Mowing deck (2/2)

Tank

Transmission

Top cover

Ignition system

Flywheel and coil

Starter lever

Control lever

Carburetor

Air filter (until 04/17)

Air filter (from 05/17)

Valves

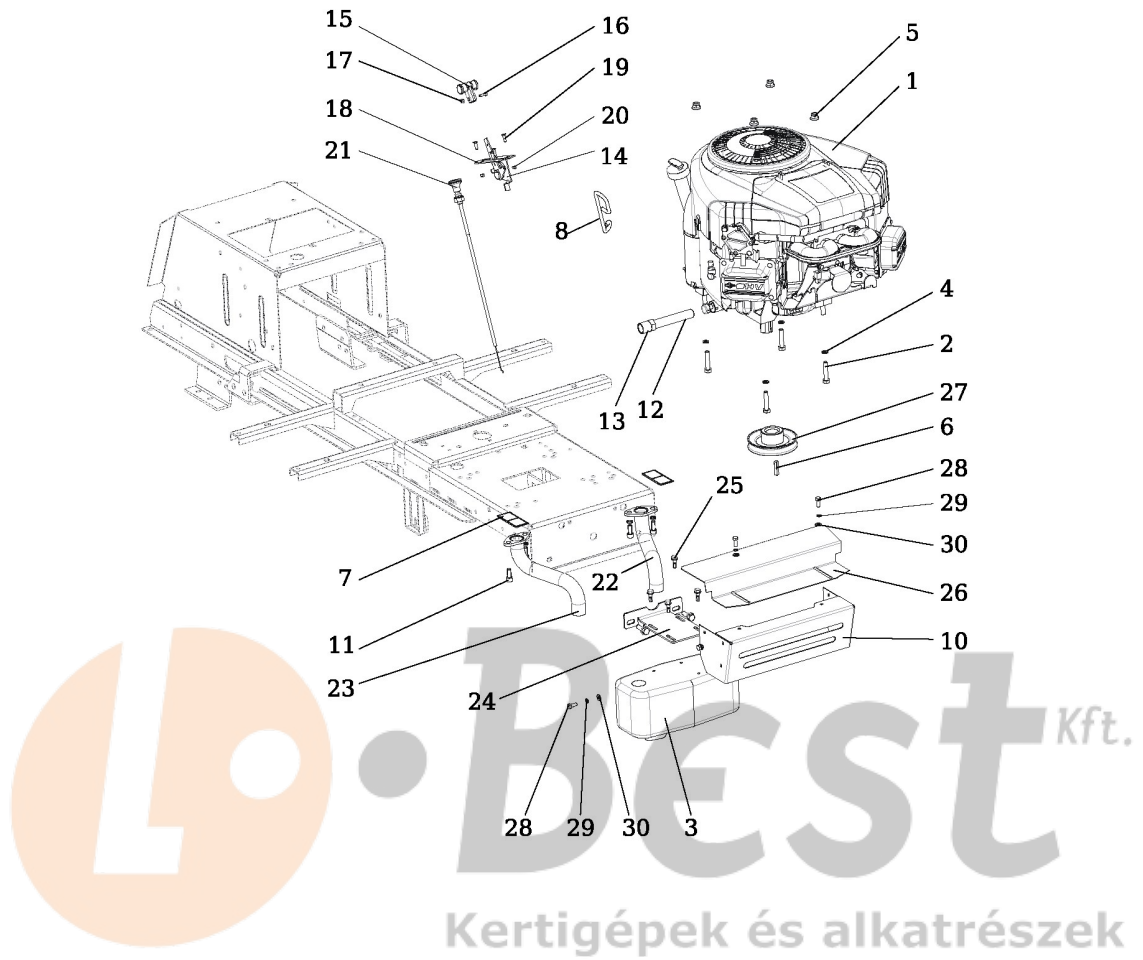
Crankshaft and piston

Crankcase cover

Cylinder and crankcase



WWW.LOBEST.HU



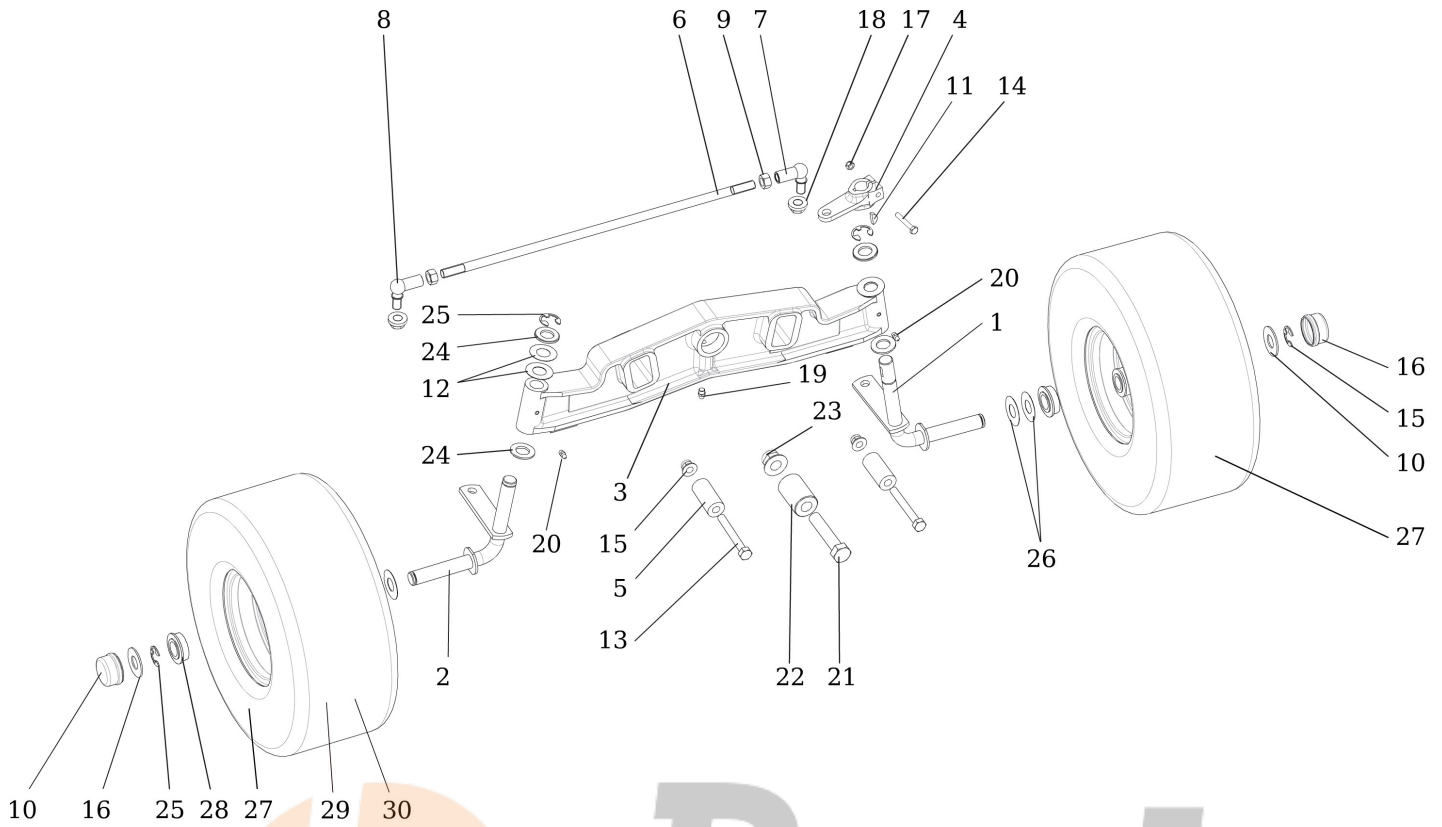
WWW.LOBEST.HU

Illustration Engine

Ref.Nu	Qty	Part number	Description	Validity from	Validity till	Notes	Bulletin
1	-		Not available for this product				
2		SGN309503544	Screw				
3		SGN443900129	Muffler				
4		SGN311214502	Washer				
5		SGN532150290	Nut				
6		SGN311726101	Key				
7		SGN283292223	Label				
8		SGN532980071	Hook				
10		SGS532085422143	Muffler cover				
11		SGN309503518	Screw				
12		SGN532151253	Tube				
13		SGN532151254	Reduction				
14		SGN000443006	Lever				
15		SGN443900138	Gas lever				
16		SGN309231535	Screw				
17		SGN311129514	Nut				
18		SGS532080302873	Reinforcement				
19		SGN309251515	Screw				
20		SGN311129515	Nut				
21		SGN443612011	Starter lever				
22		SGS532927442463	Tube left				
23		SGS532927442473	Tube right				
24		SGS532113405013	Support				
25		SGN309578517	Screw				
26		SGS532085415743	Cover				
27		SGN532150439	Pulley				
28		SGN309503508	Screw				
29		SGN311214501	Washer				
30		SGN311210502	Washer				

WWW.LOBEST.HU

Illustration Front axle



L • Best Kft.
Kertigépek és alkatrészek

9-1696-298

WWW.LOBEST.HU

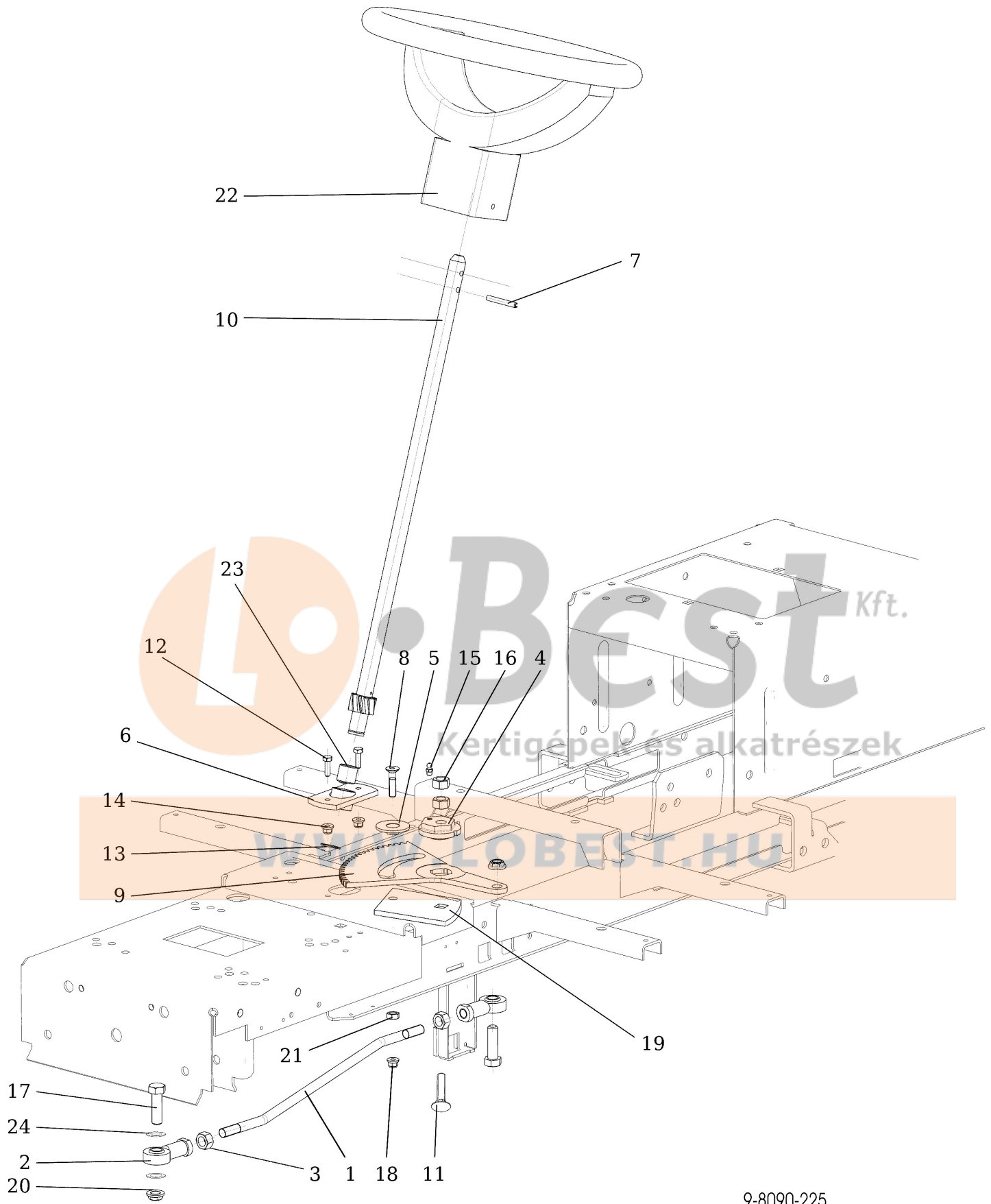
Illustration Front axle

Ref.Nu	Qty	Part number	Description	Validity from	Validity till	Notes	Bulletin
1		SGS532916432263	Pin (Wheel)				
2		SGS532916432273	Pin (Wheel)				
3		SGS532016542063	Front axle				
4		SGS532080503603	Lever				
5		SGS532195203533	Spacer				
6		SGN532980152	Connecting rod				
7		SGN442073020	Angle				
8		SGN442073019	Angle				
9		SGN311120539	Nut				
10		SGN532150915	Cover				
11		SGN311728003	Wrench				
12		SGN311210514	Washer				
13		SGN309501527	Cover				
14		SGN309203524	Hex screw				
15		SGN311129523	Nut				
16		SGS532092208363	Washer				
17		SGN311129513	Self-locking nut				
18		SGN311129521	Nut				
19		SGN425111016	Nipple				
20		SGN425111004	Nipple				
21		SGN309501524	Screw				
22		SGS532093202793	Pin				
23		SGN311129527	Nut				
24		SGS532092208383	Washer				
25		SGN311732023	Bushing				
26		SGS532092208153	Washer				
27		SGN532940171	Wheel kit				
28		SGN324196019	Bearing				
29		SGN274161029	Tire				
30		SGN325111026	Wheel cover				

Best Kft.
Kertigépek és alkatrészek

WWW.LOBEST.HU

Illustration Steering arm



9-8090-225

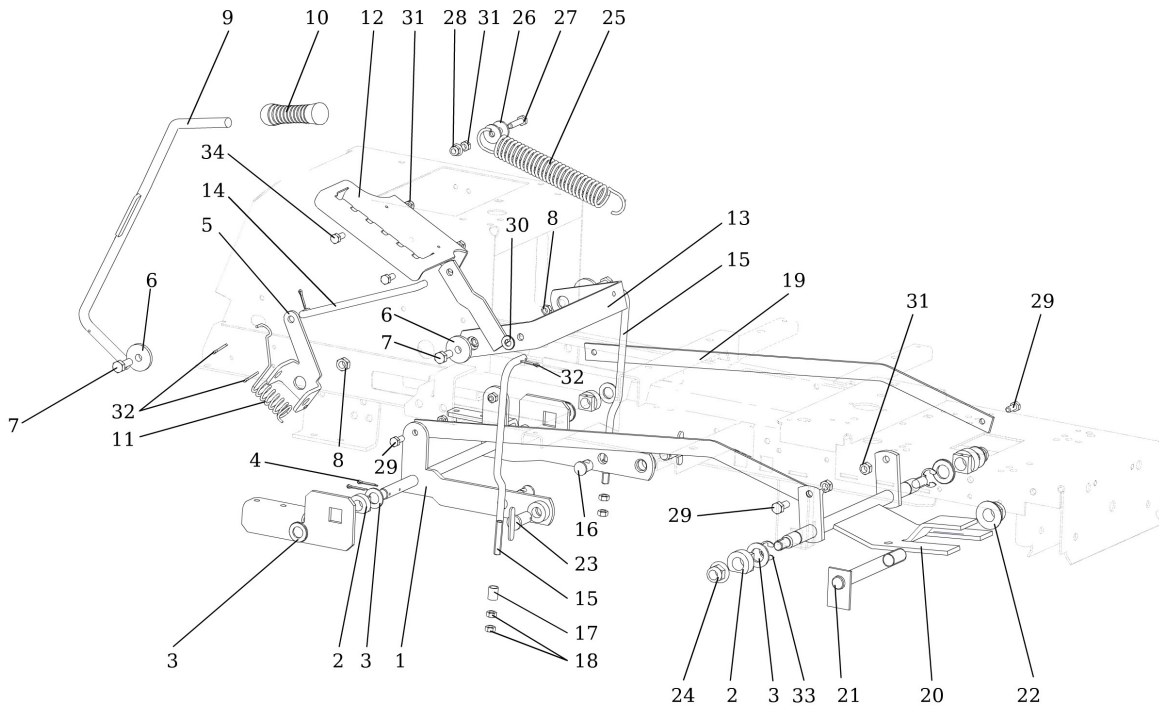
Illustration Steering arm

Ref.Nu	Qty	Part number	Description	Validity from	Validity till	Notes	Bulletin
1		SGN532151347	Connecting rod				
2		SGN442073028	Joint				
3		SGN311150505	Nut				
4		SGS532080272033	Cam				
5		SGS532195202593	Spacer				
6		SGS532938542093	Bearing				
7		SGN315238031	Pin				
8		SGN309578534	Screw				
9		SGS532033322433	Gear				
10		SGS532930252123	Sprocket				
11		SGN309019522	Screw				
12		SGN309503548	Screw				
13		SGN311733607	Ring				
14		SGN311129525	Nut				
15		SGN425111004	Nipple				
16		SGN311150505	Nut				
17		SGN309503505	Screw				
18		SGN311120520	Nut				
19		SGS532113326273	Washer				
20		SGN311129521	Nut				
21		SGN311129520	Nut				
22		SGN443821006	Steering wheel				
23		SGN323721002	Bearing				
24		SGN311214504	Washer				



WWW.LOBEST.HU

Illustration Mowing control



L • Best Kft. 9-8091-232
Kertigépek és alkatrészek

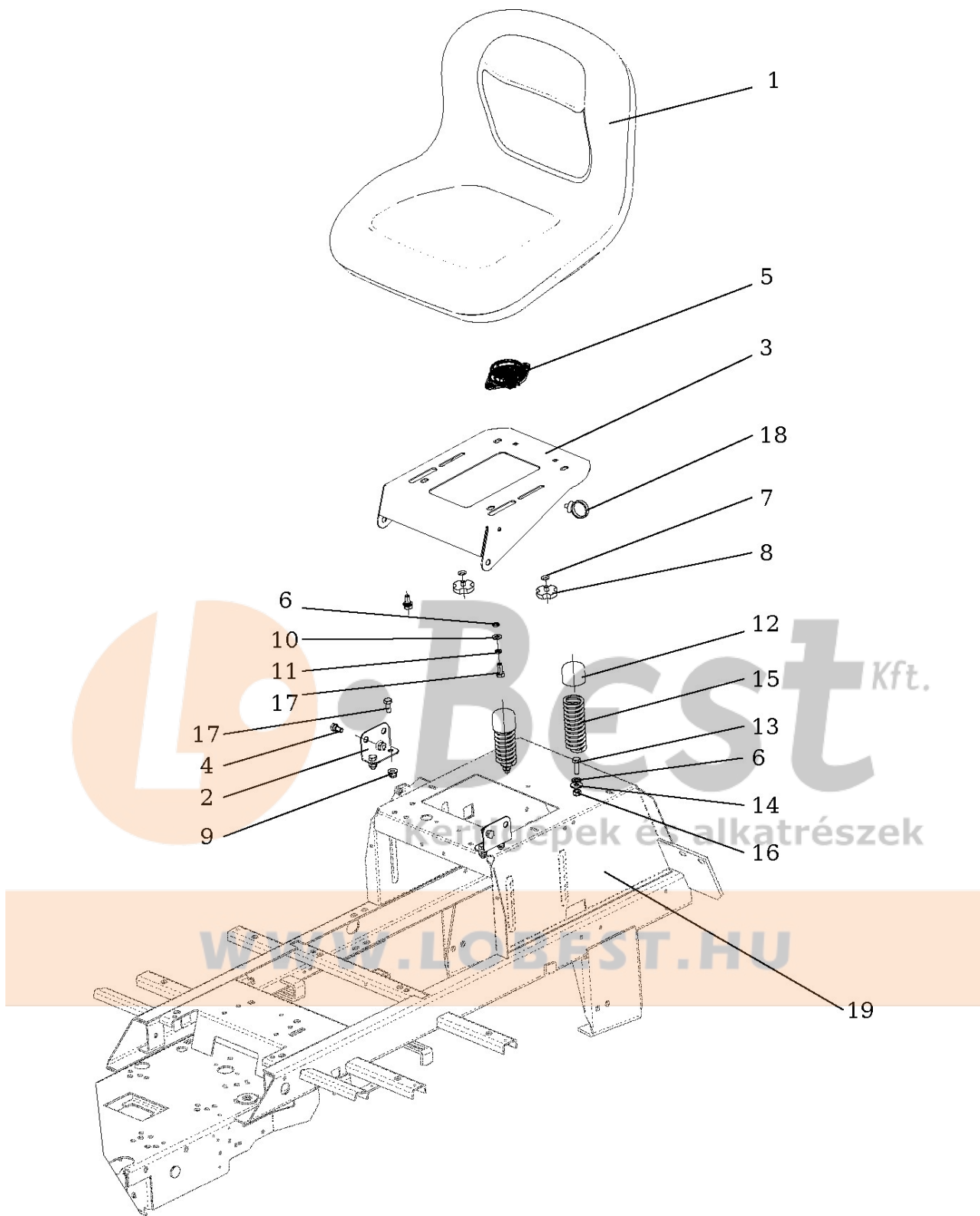
WWW.LOBEST.HU

Illustration Mowing control

Ref.Nu	Qty	Part number	Description	Validity from	Validity till	Notes	Bulletin
1		SGS532980508243	Lifting arm				
2		SGN722643023	Bushing				
3		SGN311210507	Washer				
4		SGN311338517	Pin				
5		SGS532113415563	Support				
6		SGS532092212293	Washer				
7		SGN309503510	Screw				
8		SGN311129502	Nut				
9		SGS532980412173	Lever				
10		SGN532151195	Handle				
11		SGN315231265	Spring				
12		SGS532113425333	Support				
13		SGS532913413293	Support				
14		SGN532151192	Rod				
15		SGN532151193	Rod				
16		SGS532090162083	Pin				
17		SGS532095213823	Spacer				
18		SGN311150506	Nut				
19		SGS532080323323	Rod				
20		SGS532913424373	Lifting arm				
21		SGS532938122573	Shaft				
22		SGN311129527	Nut				
23		SGS532993462343	Pin				
24		SGN311129526	Nut				
25		SGN315231193	Spring				
26		SGN311212508	Washer				
27		SGN309503543	Screw				
28		SGN532150290	Nut				
29		SGN309503512	Screw				
30		SGN311210504	Washer				
31		SGN311129501	Nut				
32		SGN311338516	Pin				
33		SGN311732009	Ring				
34		SGN309503518	Screw				

Best Kft.
Kertigépek és alkatrészek

WWW.LOBEST.HU



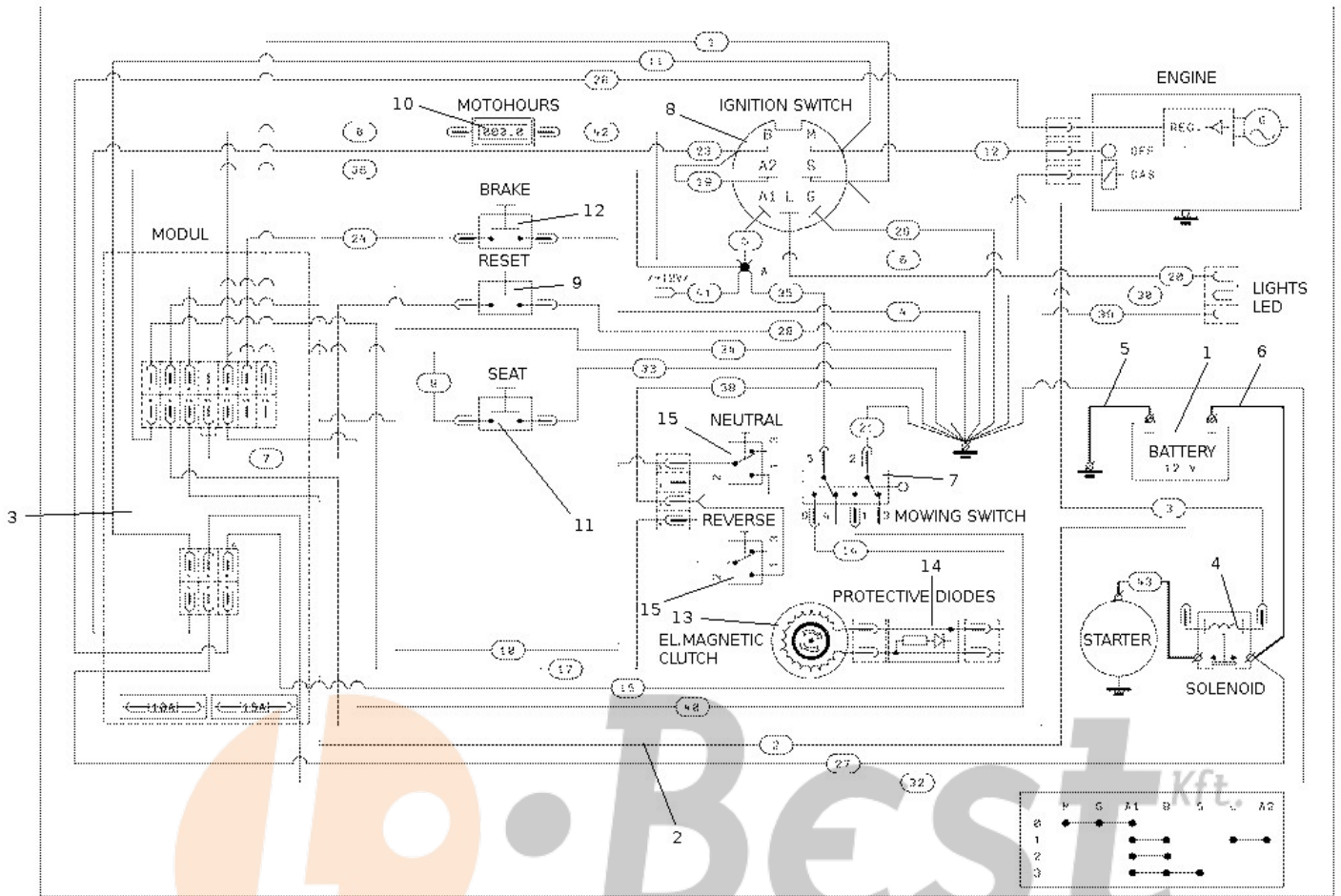
KATALOG 9-1896-261

Illustration Hood (1/3)

Ref.Nu	Qty	Part number	Description	Validity from	Validity till	Notes	Bulletin
1		SGN532150991	Seat				
2		SGS532113402403	Support				
3		SGS532018472433	Seat support				
4		SGN309599012	Screw				
5		SGN532150990	Seat switch				
6		SGN311219002	Washer				
7		SGN311213503	Washer				
8		SGN532150213	Nut				
9		SGN532150290	Nut				
10		SGN311210503	Washer				
11		SGN311214502	Washer				
12		SGN532150208	Cover				
13		SGN309503512	Screw				
14		SGN311212517	Washer				
15		SGN315231124	Spring				
16		SGN311129501	Nut				
17		SGN309503518	Screw				
18		SGN532150211	Mount				
19		SGS532912962813	Frame				



WWW.LOBEST.HU



Kertigépek és alkatrészek

WWW.LOBEST.HU

Illustration Electrical parts

Ref.Nu	Qty	Part number	Description	Validity from	Validity till	Notes	Bulletin
1		SGN346211006R	Battery				
2		SGN341271197	Wiring				
3		SGN341271187	Electric diagram				
4		SGN532151619	Solenoid				
5		SGN341271021	Wire				
6		SGN341271172	Complete cable				
7		SGN345329023	Switch				
8		SGN443861007	Switch box				
9		SGN345329025	Switch				
10		SGN443433003	Counter				
11		SGN345359005	Micro-switch				
12		SGN532150994	Switch				
13		SGN532151196	Clutch				
14		SGN341271052	Diode				
15		SGN345359004	Switch grassbag				



WWW.LOBEST.HU

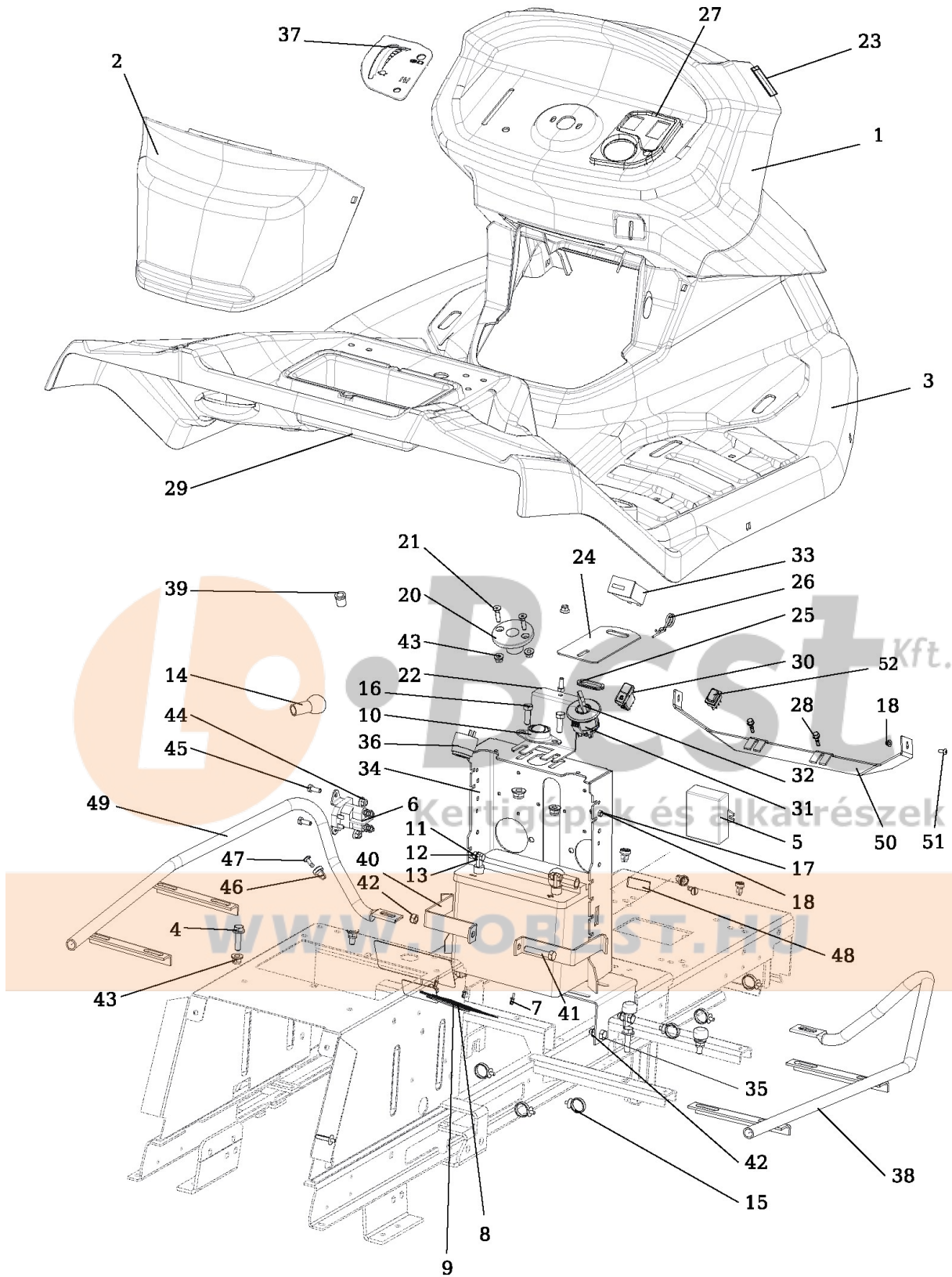


Illustration Dashboard

Ref.Nu	Qty	Part number	Description	Validity from	Validity till	Notes	Bulletin
1		SGN532151584	Panel				
2		SGN532151613	Cover				
3		SGN532151593	Floor				
4		SGN309578012	Screw				
5		SGN341271187	Electric diagram				
6		SGN532151619	Solenoid				
7		SGN532151116	Rivet				
8		SGN283292228	Label				
9		SGN283292159	Label				
10		SGN324196022	Bearing				
11		SGN309503548	Screw				
12		SGN311210502	Washer				
13		SGN311129513	Self-locking nut				
14		SGN273125006	Cover				
15		SGN532150211	Mount				
16		SGN309503512	Screw				
17		SGN309203539	Screw				
18		SGN311129524	Nut				
20		SGN321841069	Bushing				
21		SGN309578503	Screw				
22		SGS532113415583	Support				
23		SGS532096342193	Connector				
24		SGS532113404693	Support				
25		SGN273121027	Bushing				
26		SGN315238005	Pin				
27		SGN283293257	Label				
28		SGN309315016	Screw				
29		SGN532151194	Case				
30		SGN345329023	Switch				
31		SGN443861007	Switch box				
32		SGN443900137	Wrench				
33		SGN443433003	Counter				
34		SGS532016422283	Column support				
35		SGN309503517	Screw				
36		-	Not available for this product				
37		SGN283293256	Label				
38		SGS532015422043	Support				
39		-	Not available for this product				
40		SGS532113425353	Battery casing				
41		SGN309503559	Screw				
42		SGN311129501	Nut				
43		SGN532150290	Nut				
44		SGN311129525	Nut				



WWW.LOBEST.HU

Illustration Dashboard

Ref.Nu	Qty	Part number	Description	Validity from	Validity till	Notes	Bulletin
45		SGN309503508	Screw				
46		SGN532150903	Bushing				
47		SGN532150904	Stud				
48		SGN321841093	Flange				
49		SGS532015422053	Support				
50		SGS532113425363	Bracket				
51		SGN309578532	Screw				
52		SGN345329025	Switch				



WWW.LOBEST.HU

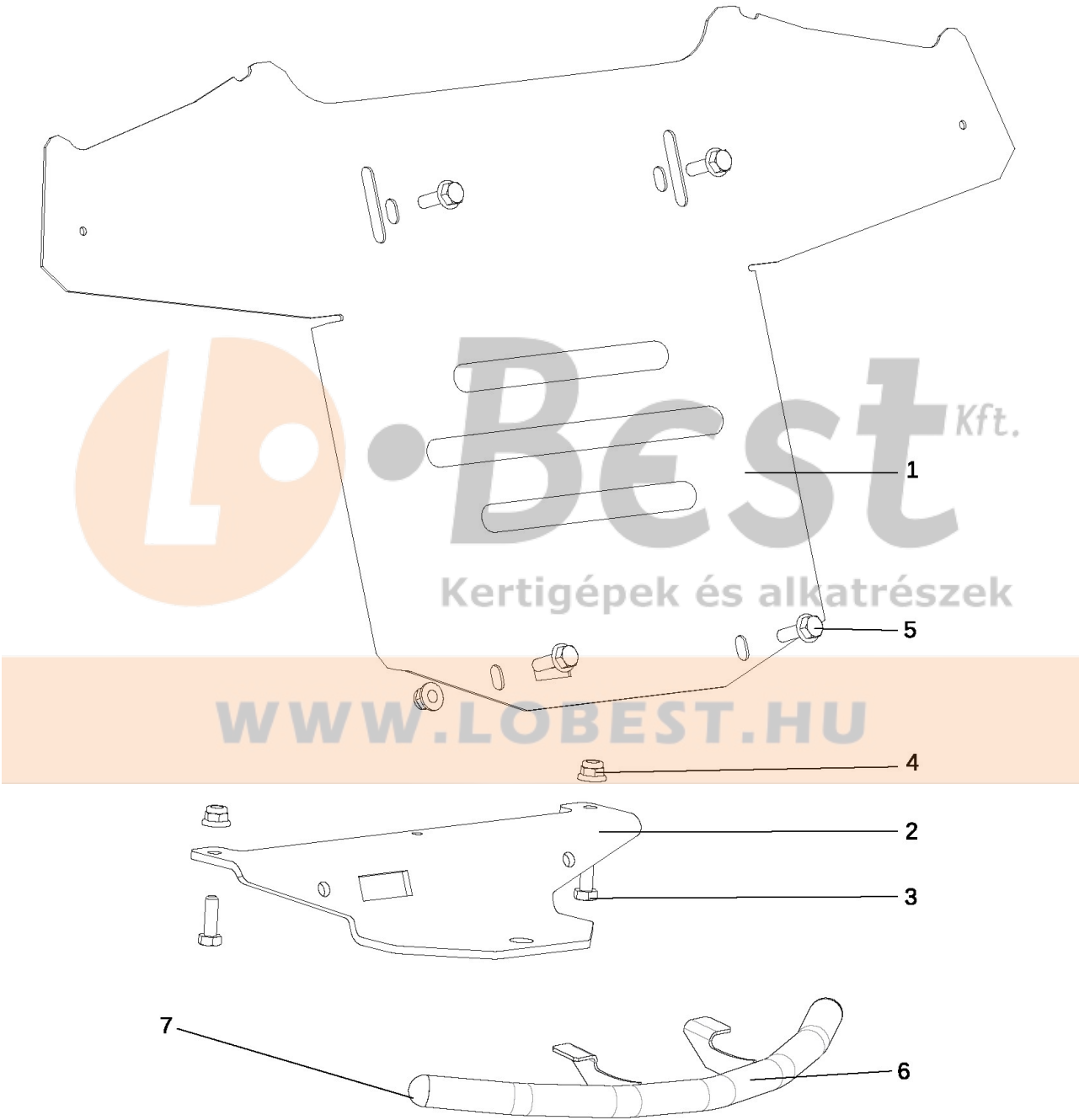


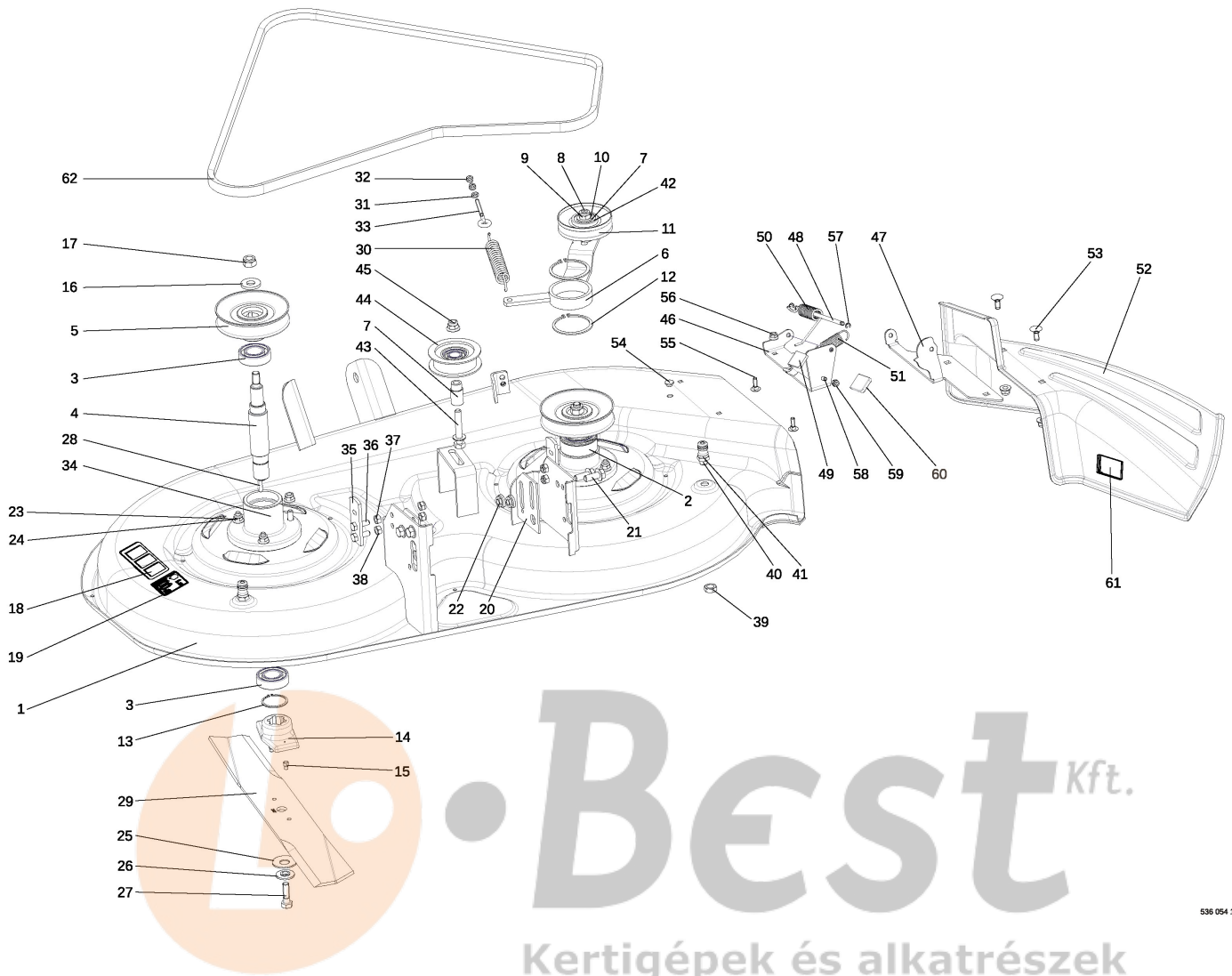
Illustration Hood (2/3)

Ref.Nu	Qty	Part number	Description	Validity from	Validity till	Notes	Bulletin
1		SGS532074422563	Rear board				
2		SGS532014422023	Hitch				
3		SGN309503512	Screw				
4		SGN532150290	Nut				
5		SGN309503005	Screw				
6		SGS532918452173	Bumper				
7		SGN321841091	Cap				



WWW.LOBEST.HU

Illustration Mowing deck (1/2)



536 054 174 003

WWW.LOBEST.HU

Illustration Mowing deck (1/2)

Ref.Nu	Qty	Part number	Description	Validity from	Validity till	Notes	Bulletin
1		SGS532950472343	Mowing deck				
2		SGS532038523923	Flange				
3		SGN324162099	Bearing				
4		SGS532038128413	Shaft				
5		SGN532151209	Pulley				
6		SGS532913413333	Support				
7		SGS532094214173	Bushing				
8		SGN309503519	Screw				
9		SGN311212521	Washer				
10		SGN311129502	Nut				
11		SGN532150784	Compensator				
12		SGN311733032	Ring				
13		SGN311733014	Retainer washer				
14		SGS532098212403	Flange				
15		68120041	Pin				
16		SGS532092207273	Washer				
17		SGN311129505	Nut				
18		SGN283292437	Label				
19		SGN283292121	Label				
20		SGS532014417293	Stand				
21		SGN309578529	Screw				
22		SGN311129522	Nut				
23		SGN309503543	Screw				
24		SGN532150290	Nut				
25		SGN311219503	Washer				
26		SGS532092207493	Washer				
27		SGN309599017	Screw				
28		SGN311726091	Spring				
29		SGS532050422873	Blade				
30		SGN315231193	Spring				
31		SGN311210502	Washer				
32		SGN311150504	Nut				
33		SGN309578523	Screw				
34		SGS532038523933	Flange				
35		SGS532114327853	Plate				
36		SGN309503512	Screw				
37		SGN311129501	Nut				
38		SGN311150503	Nut				
39		SGN311120511	Nut				
40		SGN532150533	Quick fastener				
41		SGN273111057	Ring				
42		SGS532092208673	Washer				
43		SGN309503577	Screw				
44		SGN532150733	Pulley				



WWW.LOBEST.HU

Illustration Mowing deck (1/2)

Ref.Nu	Qty	Part number	Description	Validity from	Validity till	Notes	Bulletin
45		SGN311129523	Nut				
46		SGS532013412013	Mount				
47		SGS532013412023	Mount				
48		SGS532093102013	Pin				
49		SGS532013412033	Support				
50		SGN315231271	Spring				
51		SGN315231203	Spring				
52		SGN532151383	Cover				
53		SGN309019501	Screw				
54		SGN532151385	Cap				
55		SGN309019510	Screw				
56		SGN311129525	Nut				
57		SGN311732001	Safety ring				
58		SGN309503508	Screw				
59		SGN311129513	Self-locking nut				
60		SGN532151384	Cap				
61		SGN283293188	Label				
62		SGN272731263	Belt				



WWW.LOBEST.HU

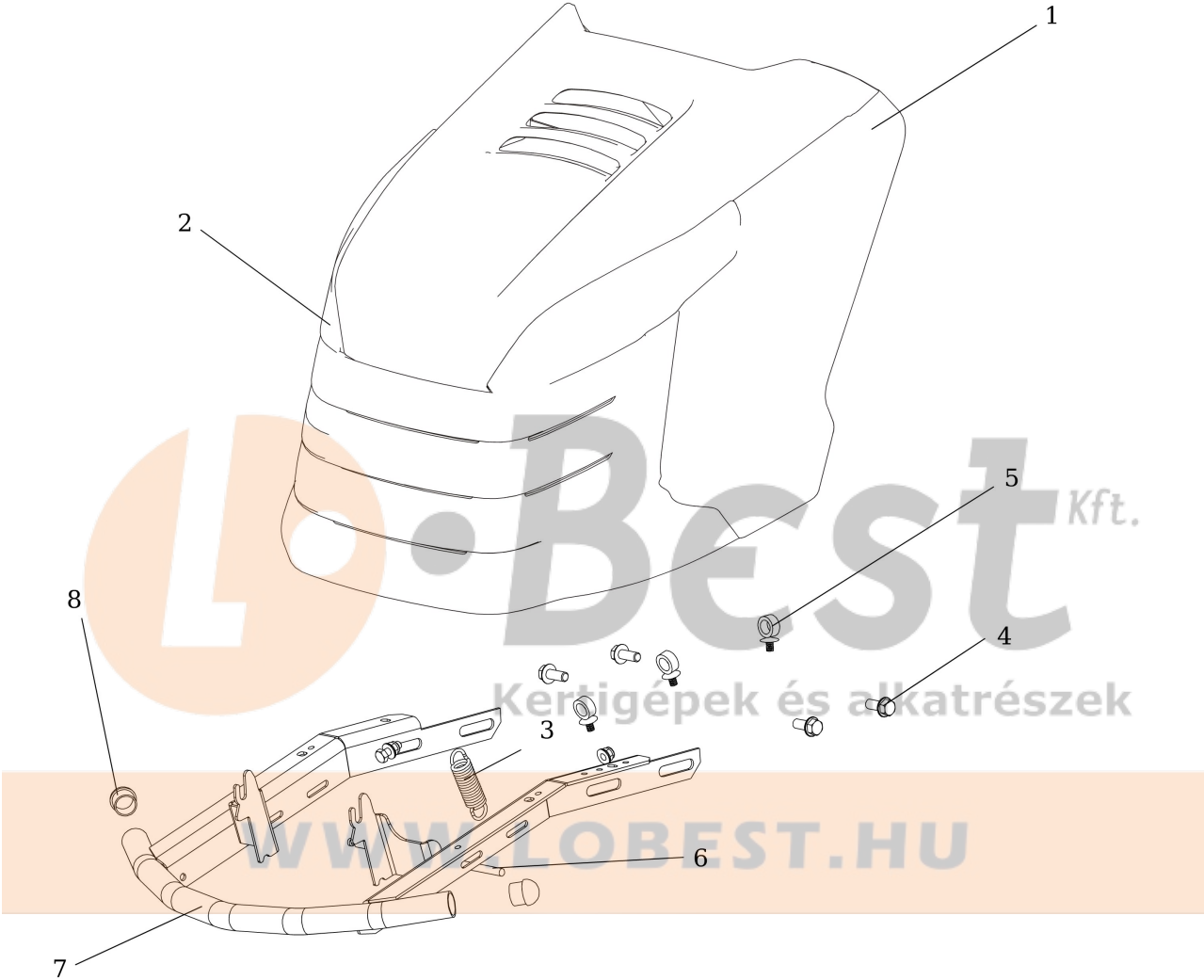
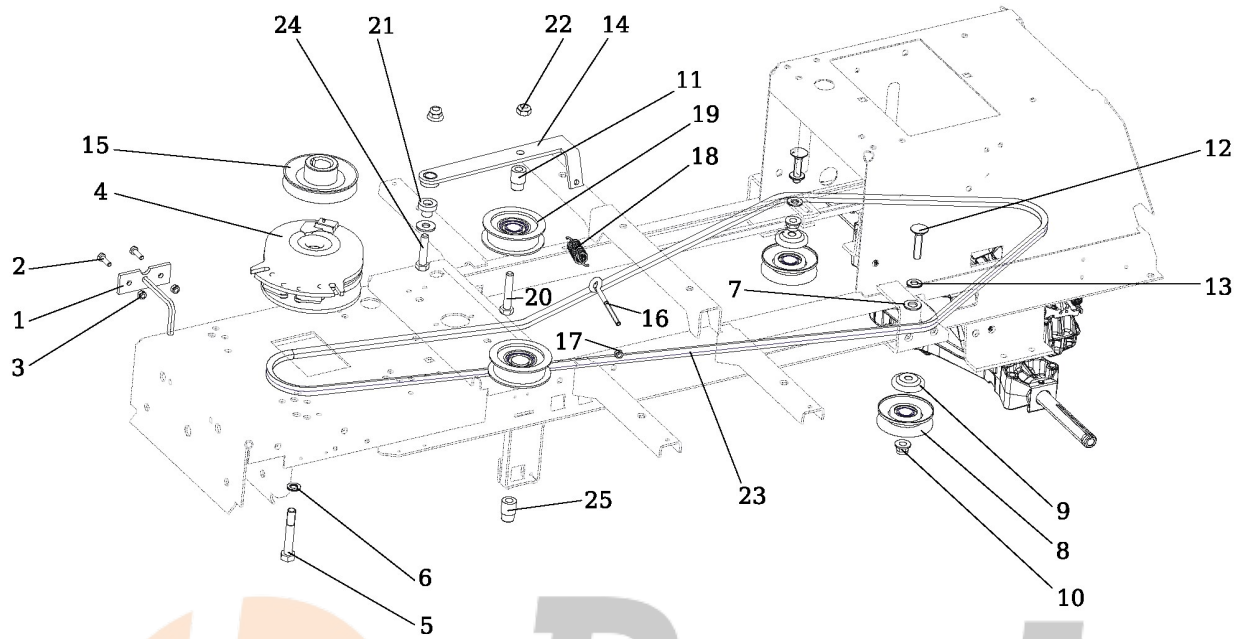


Illustration Hood (3/3)

Ref.Nu	Qty	Part number	Description	Validity from	Validity till	Notes	Bulletin
1		SGN532151570R	Hood				
2		SGN341271169	Bulb				
3		SGN315231203	Spring				
4		SGN309578534	Screw				
5		SGN532150211	Mount				
6		SGS532013102143	Safety pole				
7		SGS532918452193	Bumper				
8		SGN321841091	Cap				



WWW.LOBEST.HU



L • Best Kft.
Kertigépek és alkatrészek

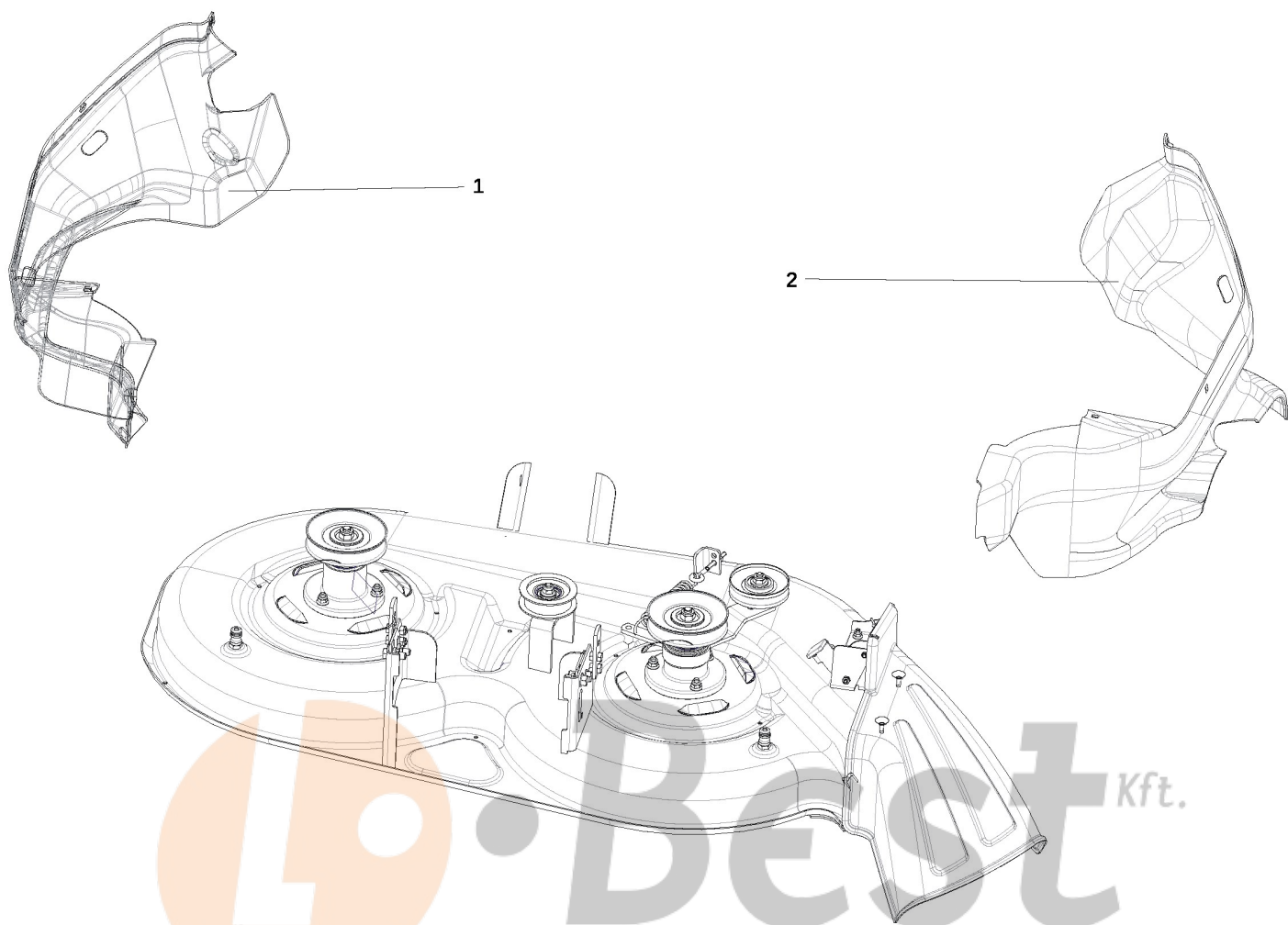
WWW.LOBEST.HU

Illustration Clutch

Ref.Nu	Qty	Part number	Description	Validity from	Validity till	Notes	Bulletin
1		SGS532936362263	Guard				
1		SGS532936362023	Stopper			Solo per kit frizione / Only	
2		SGN309503548	Screw				
3		SGN311129525	Nut				
4		SGN532151196	Clutch				
5		SGN309579511	Screw				
6		SGN311219516	Washer				
7		SGN311212521	Washer				
8		SGN532150824	Pulley				
9		SGN532151119	Guard				
10		SGN311129523	Nut				
11		SGS532094215953	Case				
12		SGN309019531	Screw				
13		SGN311210505	Washer				
14		SGS532913323033	Bracket				
15		SGN532150439	Pulley				
16		SGN309578523	Screw				
17		SGN311129513	Self-locking nut				
18		SGN315231111	Spring				
19		SGN532150733	Pulley				
20		SGN309203525	Screw				
21		SGS532094214513	Bushing				
22		SGN311129502	Nut				
23		SGN272731252	Belt				
24		SGN309203544	Screw				
25		SGS532094214533	Pulley				



WWW.LOBEST.HU



Kertigépek és alkatrészek

WWW.LOBEST.HU

Illustration Mowing deck (2/2)

Ref.Nu	Qty	Part number	Description	Validity from	Validity till	Notes	Bulletin
1		SGN532151594	Belt cover			SX; Left	
2		SGN532151595	Belt cover			DX; Right	



WWW.LOBEST.HU

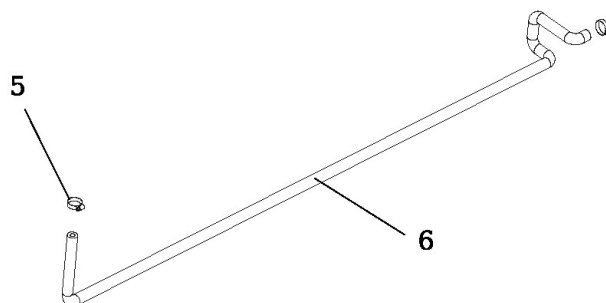
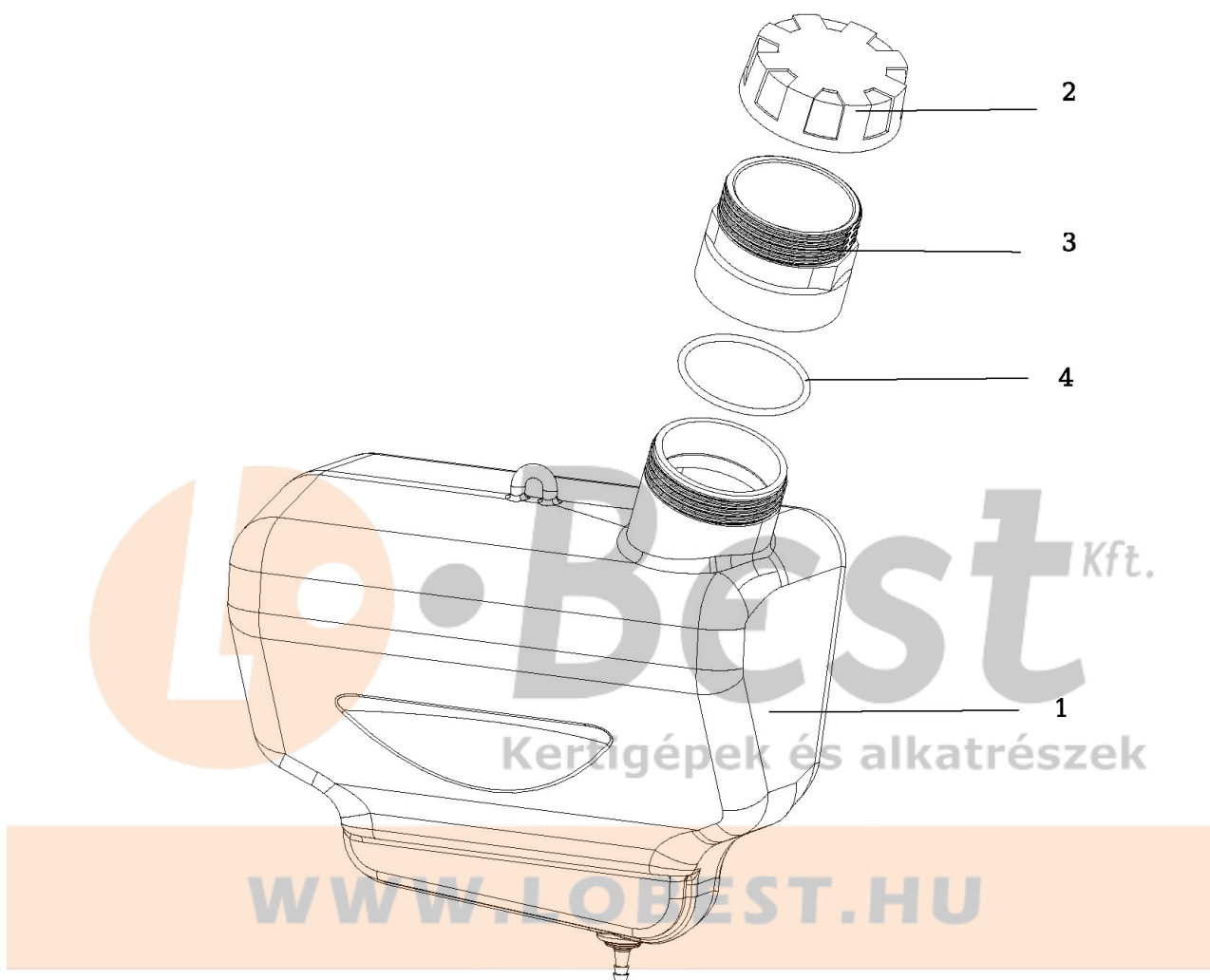
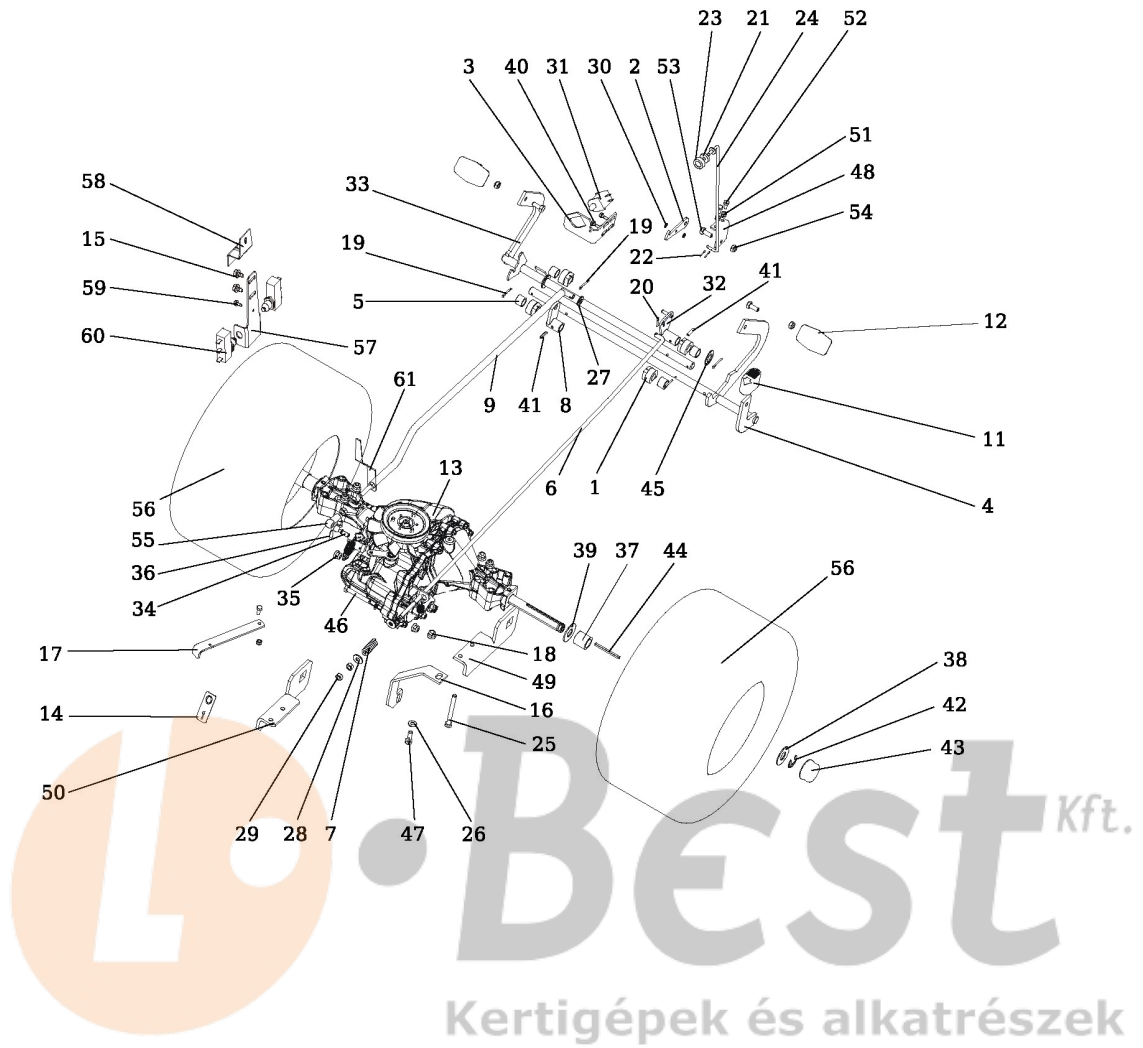


Illustration Tank

Ref.Nu	Qty	Part number	Description	Validity from	Validity till	Notes	Bulletin
1		SGN232130021	Tank				
2		SGN321841017	Cap				
3		SGN532151591	Clamp				
4		SGN273111062	Gasket				
5		SGN000532058	Clip				
6		SGS532986018003	Tube				



WWW.LOBEST.HU



WWW.LOBEST.HU

Illustration Transmission

Ref.Nu	Qty	Part number	Description	Validity from	Validity till	Notes	Bulletin
1		SGN722643023	Bushing				
2		SGS532037322233	Hook				
3		SGS532113402293	Support				
4		SGS532980442613	Lever				
5		SGS532095212883	Spacer				
6		SGN532151184	Rod				
7		SGN315231171	Spring				
8		SGS532980364823	Arm				
9		SGS532980422563	Rod				
11		SGN273151013	Cover				
12		SGN532151568R	Pedal				
13		SGN532991065	Transmission				
14		SGN283292192	Label				
15		SGN309578544	Screw				
16		SGS532113422113	Support				
17		SGS532080403183	Bracket				
18		SGN532150290	Nut				
19		SGN311338517	Pin				
20		SGN311338516	Pin				
21		SGN273192027	Washer				
22		SGN311338513	Pin				
23		SGN532150993	Washer				
24		SGN532151186	Rod				
25		SGN309501571	Screw				
26		SGN311210503	Washer				
27		SGN311210504	Washer				
28		SGN311212517	Washer				
29		SGN311120520	Nut				
30		SGN311210501	Washer				
31		SGN000532079	Seat switch				
32		SGS532980365393	Stand				
33		SGS532980442583	Brake pedal				
34		SGN442073017	Angle				
35		SGN311129520	Nut				
36		SGN442073018	Nut				
37		SGS532195203773	Spacer				
38		SGS532092208363	Washer				
39		SGS532092208153	Washer				
40		SGN309578545	Screw				
41		SGN315238037	Pin				
42		SGN311732023	Bushing				
43		SGN532150915	Cover				
44		SGN311726099	Key				
45		SGN311210507	Washer				



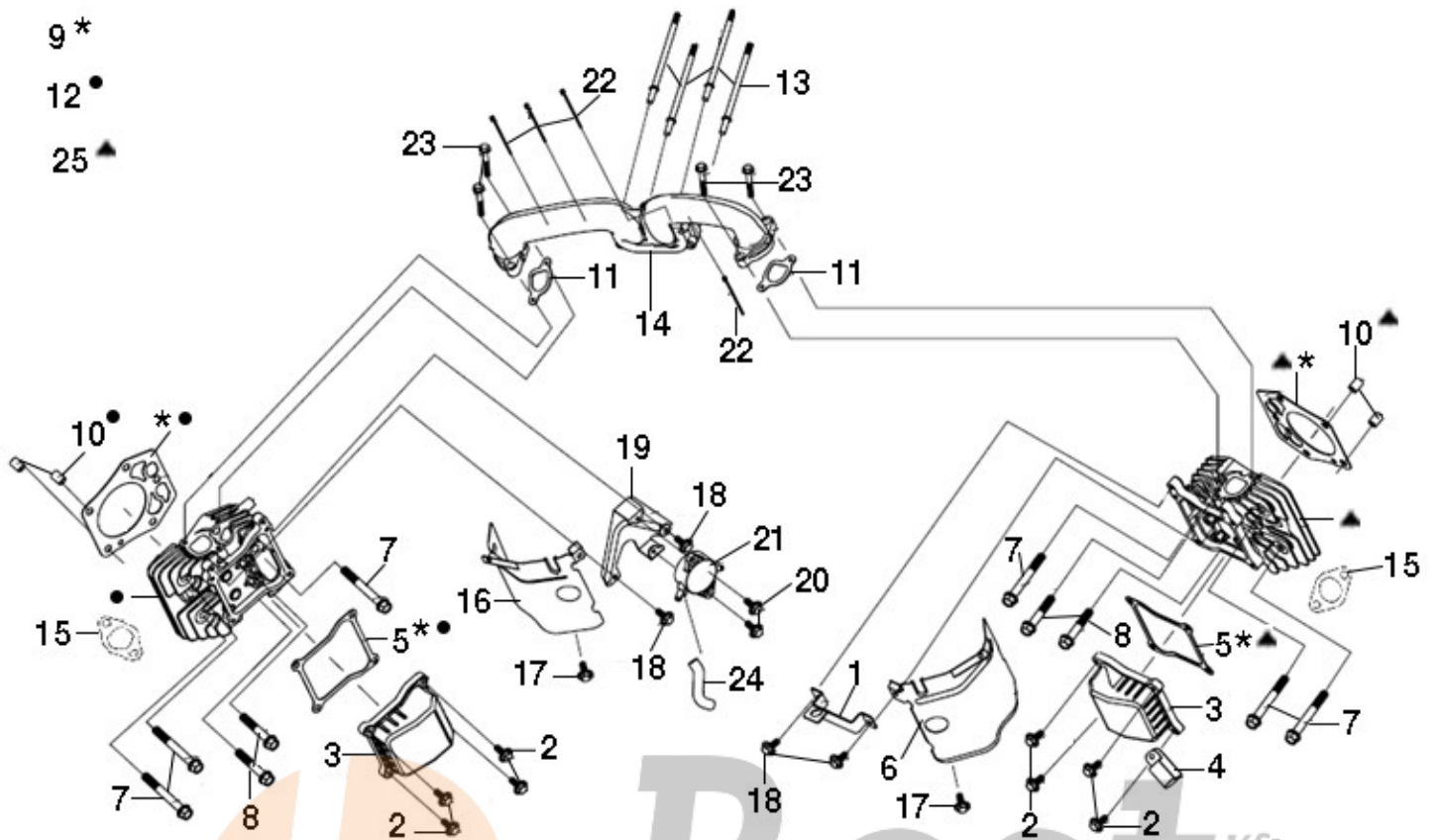
WWW.LOBEST.HU

Illustration Transmission

Ref.Nu	Qty	Part number	Description	Validity from	Validity till	Notes	Bulletin
46		SGN309503556	Screw				
47		SGN309503512	Screw				
48		SGS532113408283	Support				
49		SGS532113408303	Support				
50		SGS532113408293	Support				
51		SGN311129513	Self-locking nut				
52		SGN309503508	Screw				
53		SGN309503518	Screw				
54		SGN311129501	Nut				
55		SGN442073016	Bushing				
56		SGN532940190	Rear wheel kit				
57		SGS532014402173	Support				
58		SGS532014412013	Switch cover				
59		SGN309578507	Screw				
60		SGN345359004	Switch grassbag				
61		SGS532097412053	Spring				



WWW.LOBEST.HU



WWW.LOBEST.HU

Illustration Top cover

Ref.Nu	Qty	Part number	Description	Validity from	Validity till	Notes	Bulletin
1	1	L66151065	Lifting arm				
2	8	L66150817	Bolt				
3	2	L66151066	Cover				
4	1	L66151067	Clamp				
5	2	L66152065	Gasket				
6	1	L66151069	Cover				
7	6	L66151070	Bolt				
8	4	L66151071	Bolt				
9	1	L66151035A	Gasket set				
10	4	L66151072	Pin				
11	2	L66151073	Gasket				
12	1	L66151080	Compl. top cover			Sinistro; Left	
13	4	L66151074	Stud				
14	1	L66151075	Suction tube				
15	2	L66150800	Gasket				
16	1	L66151076	Cover				
17	2	L66150464	Screw				
18	4	L66150251	Screw				
19	1	L66151077	Bracket				
20	2	L66150416	Screw				
21	1	L66150958	Pump				
22	4	L66150947	Band				
23	4	L66150453	Screw				
24	1	L66151078	Tube and breather				
25	1	L66151079	Compl. top cover			Destro; Right	



WWW.LOBEST.HU

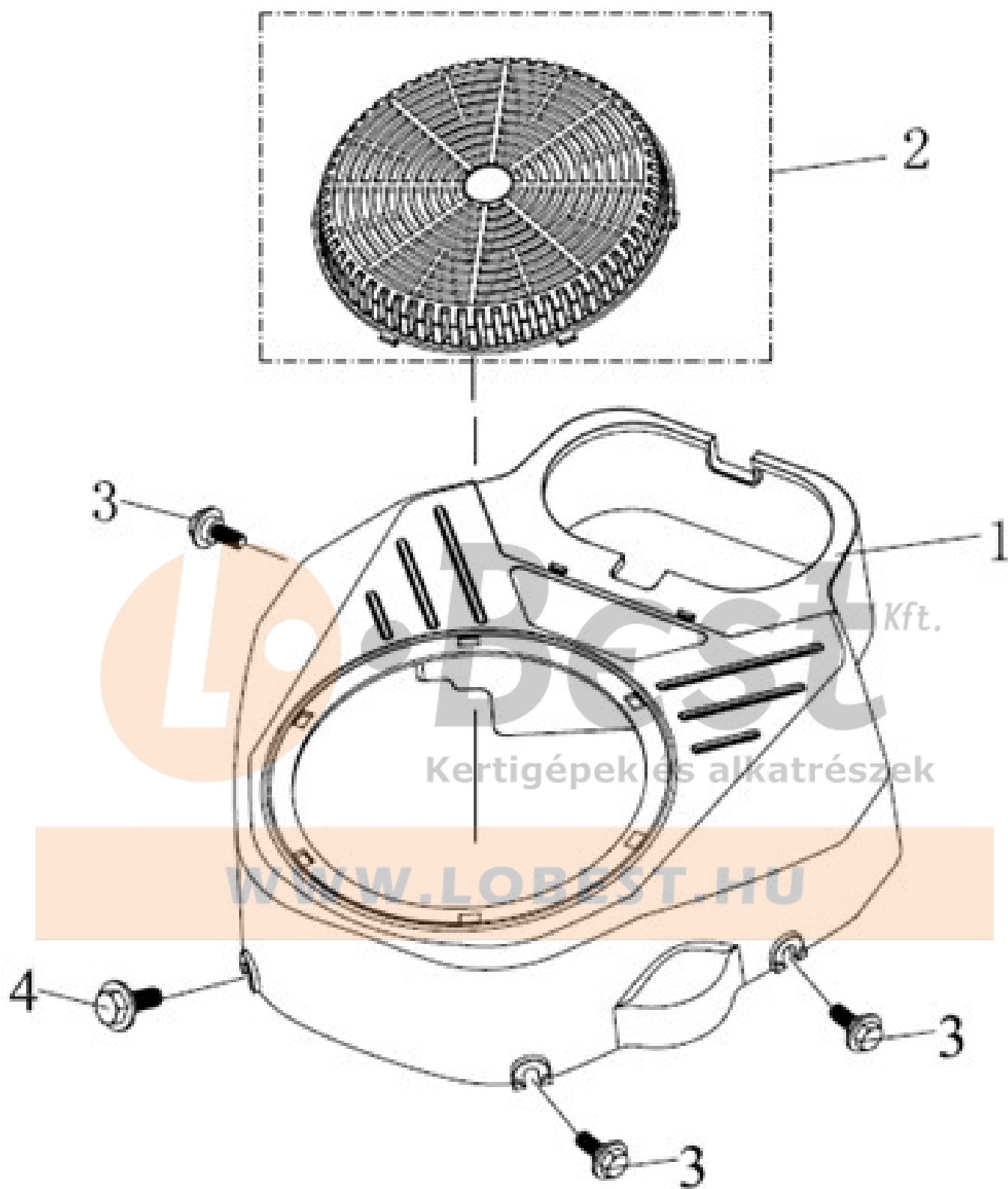
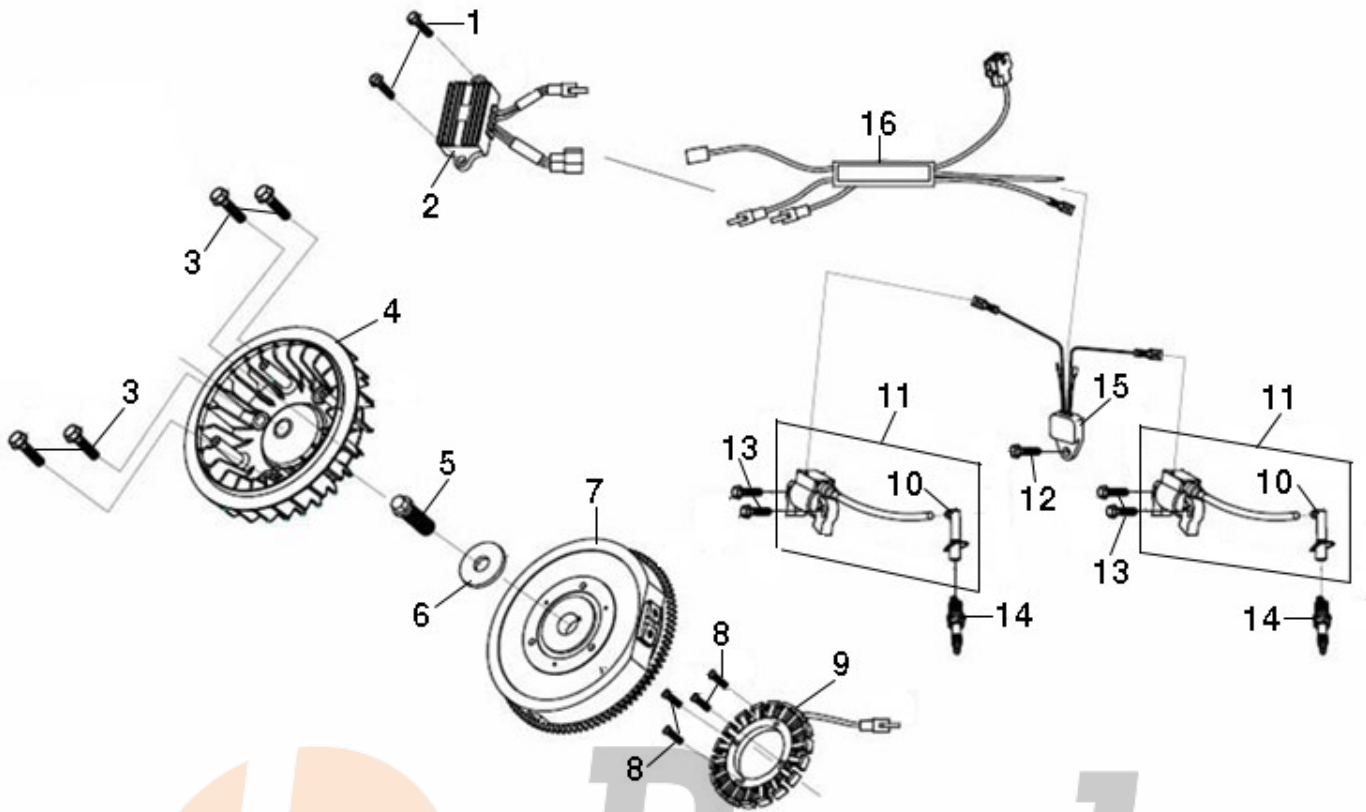


Illustration Ignition system

Ref.Nu	Qty	Part number	Description	Validity from	Validity till	Notes	Bulletin
1	1	L66151026	Starter assy				
2	1	L66151027	Cover				
3	3	L66151028	Bolt				
4	1	L66150815	Bolt				



WWW.LOBEST.HU



L • Best Kft.
Kertigépek és alkatrészek

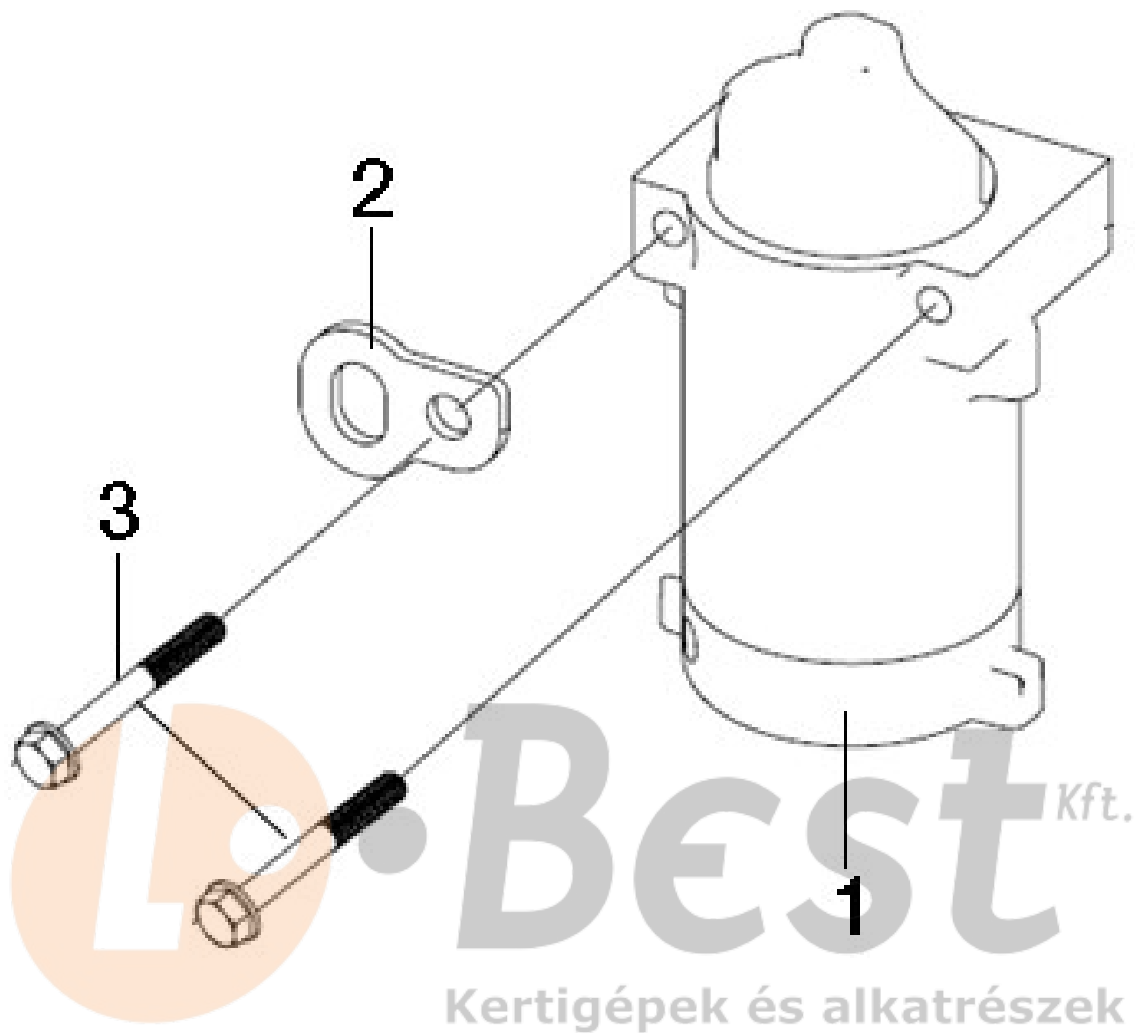
WWW.LOBEST.HU

Illustration Flywheel and coil

Ref.Nu	Qty	Part number	Description	Validity from	Validity till	Notes	Bulletin
1	2	L66150251	Screw				
2	1	L66151203	Charging plates	09/2016			
2	1	L66151192	Rectifier complete				
3	4	L66151082	Screw				
4	1	L66151083	Fan				
5	1	L66151084	Screw				
6	1	L66151085	Washer				
7	1	L66151511	Flywheel				
8	4	L66151087	Bolt				
9	1	L66151192	Rectifier complete				
9	1	L66151512	Rectifier complete	09/2016			
10	2	L66151089	Cap				
11	1	L66151513	Ignition coil				
12	1	L66150464	Screw				
13	4	L66150416	Screw				
14	2	3055123R	Spark plug				
15	1	-	Not available for this product				
16	1	L66151192	Rectifier complete				
16	1	L66151202	Rectifier	09/2016			



WWW.LOBEST.HU



WWW.LOBEST.HU

Illustration Starter lever

Ref.Nu	Qty	Part number	Description	Validity from	Validity till	Notes	Bulletin
1	1	L66151514	Starter lever				
2	1	L66151100	Bracket				
3	2	L66150821	Bolt				



WWW.LOBEST.HU

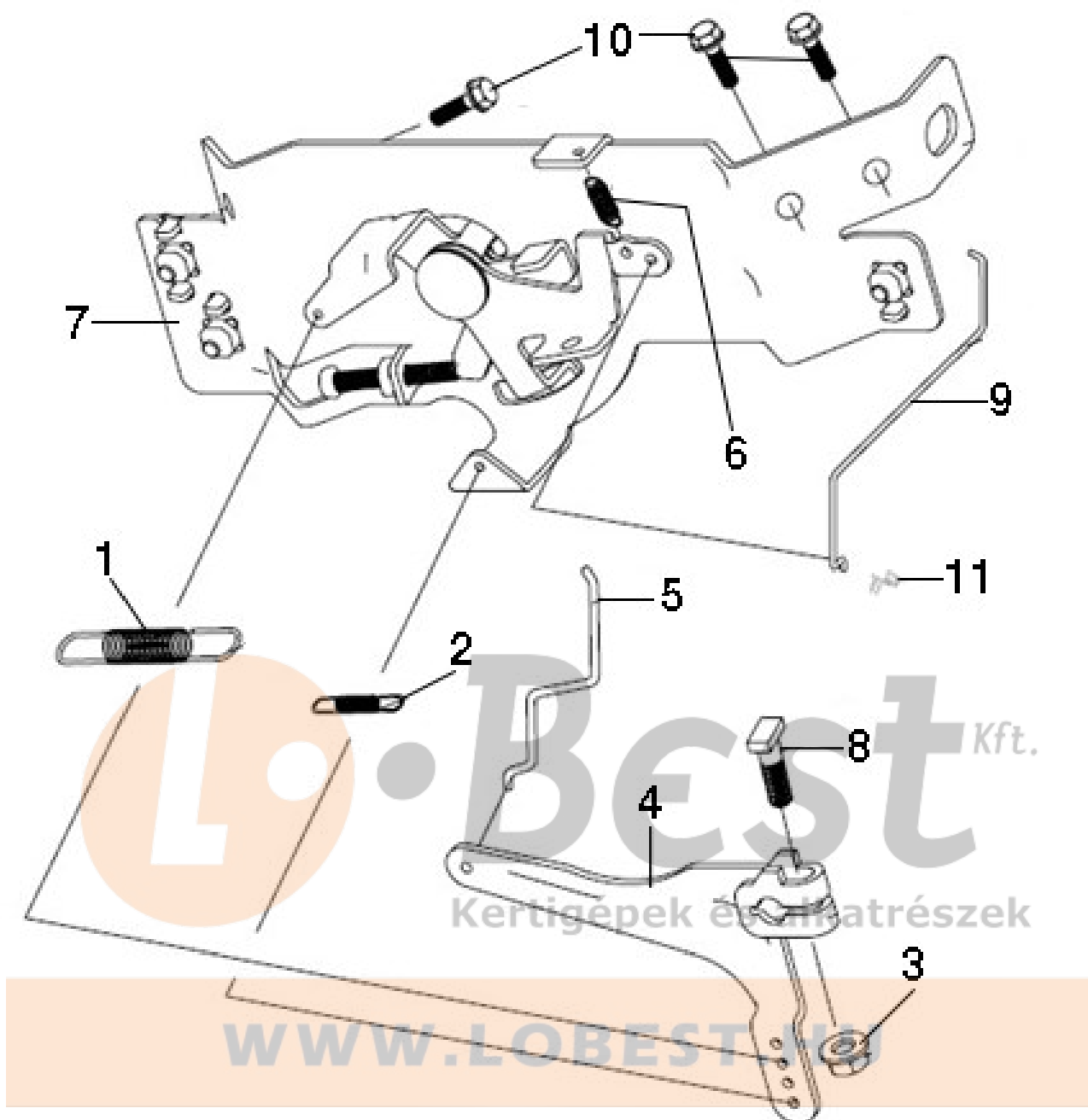
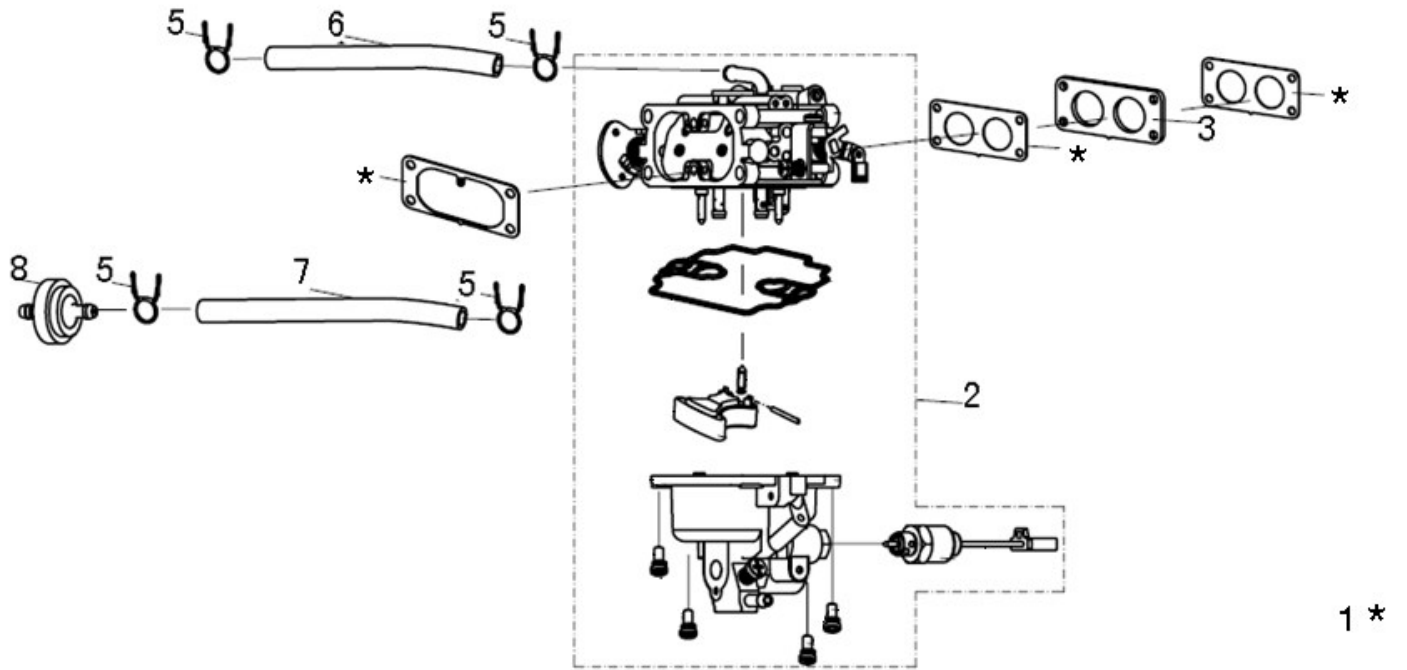


Illustration Control lever

Ref.Nu	Qty	Part number	Description	Validity from	Validity till	Notes	Bulletin
1	1	L66151091	Spring				
2	1	L66151092	Spring				
3	1	004400959R	Nut				
4	1	L66151191	Levers group				
4	1	L66151198	Governor arm shaft	09/2016			
5	1	L66151196	Rod	09/2016			
5	1	L66151191	Levers group				
6	1	L66151197	Spring	09/2016			
6	1	L66151191	Levers group				
7	1	L66151200	Control	09/2016			
7	1	L66151191	Levers group				
8	1	L66150382	Screw				
9	1	L66151199	Throttle	09/2016			
9	1	L66151191	Levers group				
10	3	L66150251	Screw				
11	1	L66151098	Clamp				



WWW.LOBEST.HU



L • **Best** ^{Kft.}
Kertigépek és alkatrészek

WWW.LOBEST.HU

Illustration Carburetor

Ref.Nu	Qty	Part number	Description	Validity from	Validity till	Notes	Bulletin
1	1	L66151035A	Gasket set				
2	1	L66151301	Carburetor	05/17		Per modelli fino a 04/17	
3	1	L66151030	Insulator				
5	4	L66151031	Band			L66151299 (x2) -	
6	1	L66151032	Oil line				
7	1	L66151033	Oil line			P/N L66151300 -	
8	1	L66151503	Fuel filter			L66151305	



WWW.LOBEST.HU

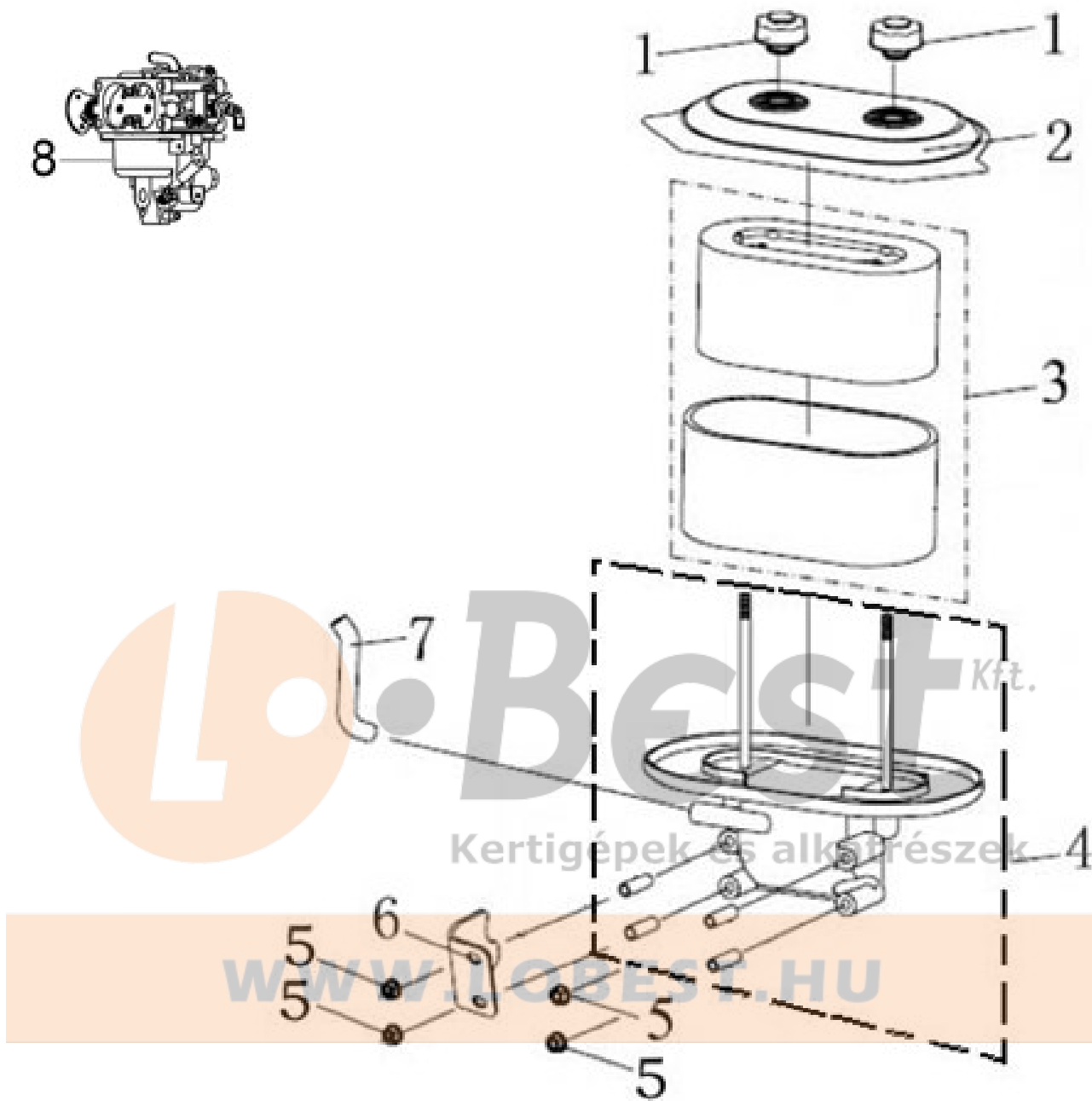


Illustration Air filter (until 04/17)

Ref.Nu	Qty	Part number	Description	Validity from	Validity till	Notes	Bulletin
1	2	L66151020	Bolt				
2	1	L66151021	Cover				
3	1	L66151022	Filter				
4	1	L66151023	Elbow				
5	4	004400959R	Nut				
6	1	L66151024	Plate				
7	1	L66151025	Tube				
8	1	-	Not available for this product				



WWW.LOBEST.HU

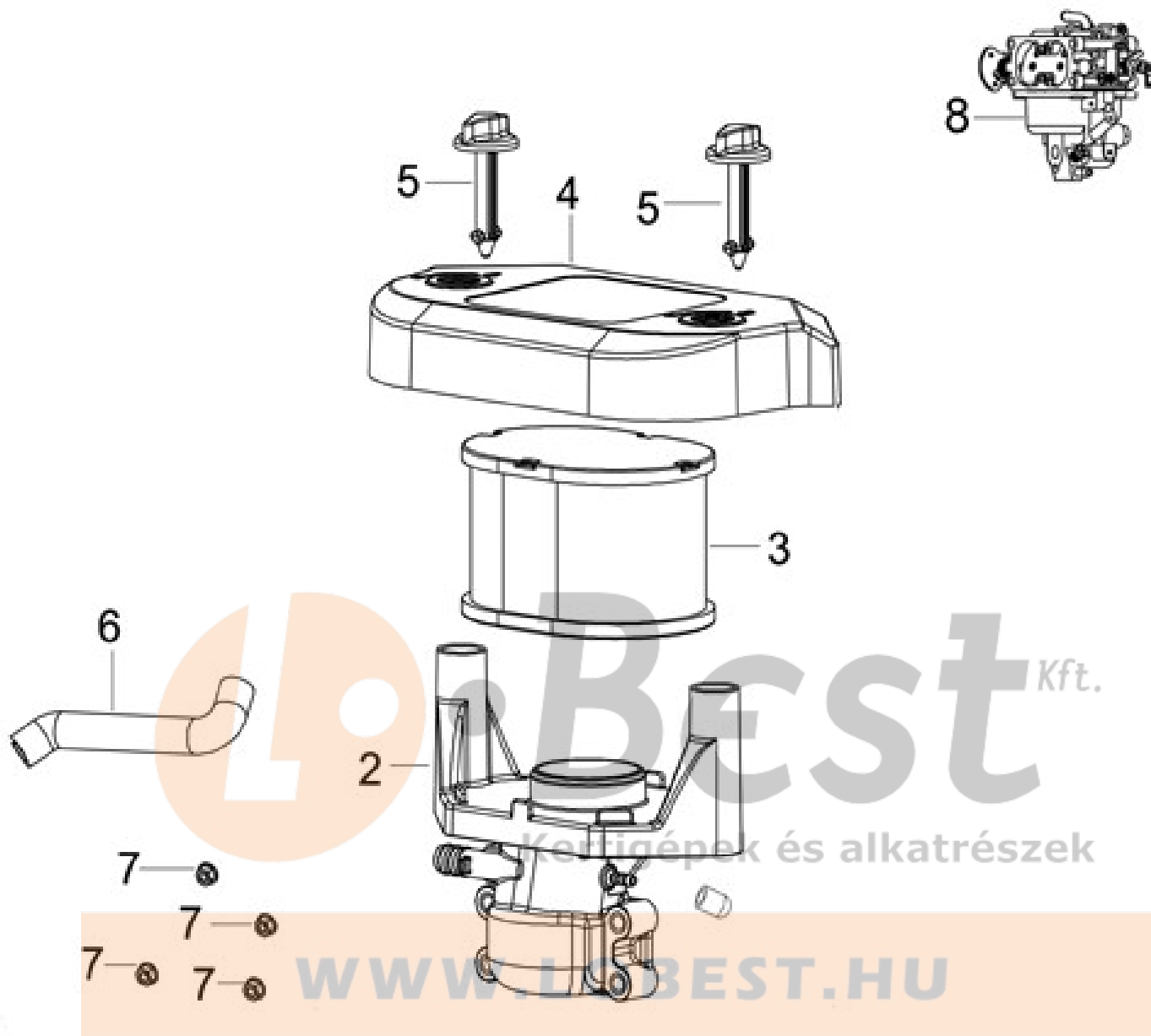
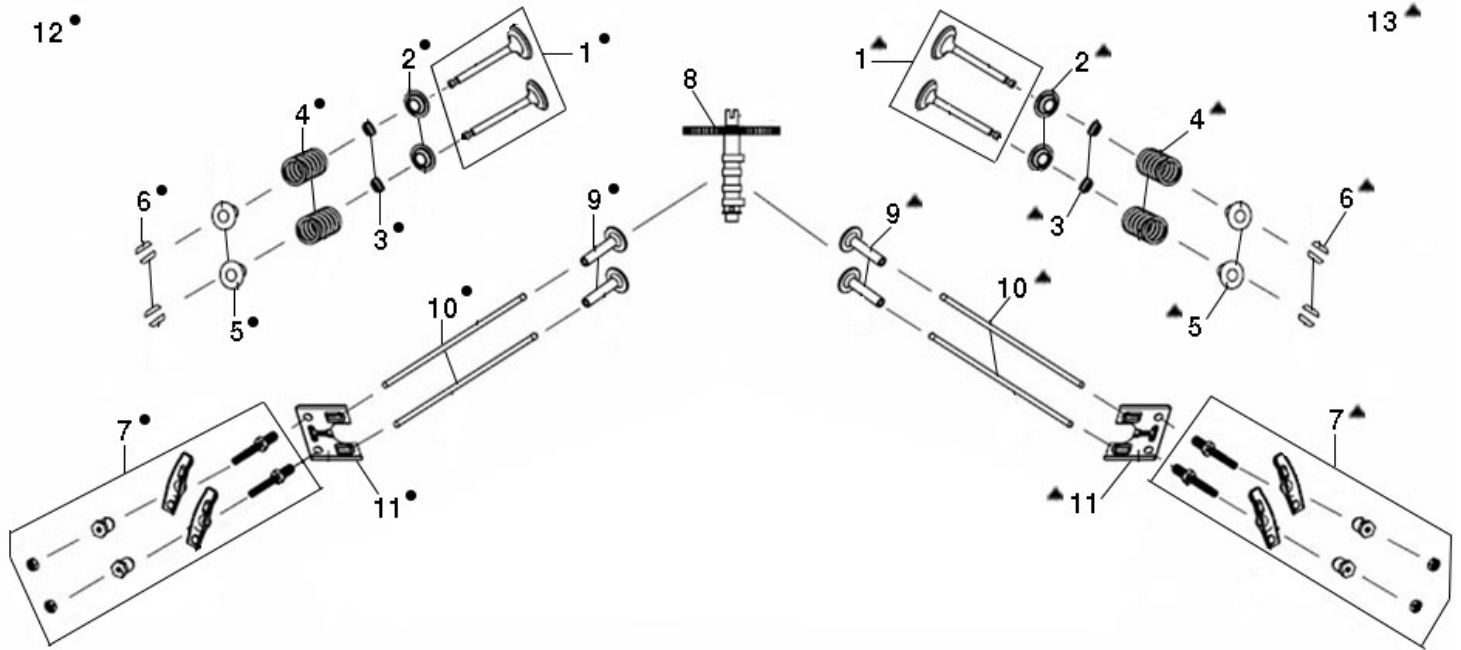


Illustration Air filter (from 05/17)

Ref.Nu	Qty	Part number	Description	Validity from	Validity till	Notes	Bulletin
2	1	L66151300	Elbow				
3	1	L66151298	Filter				
4	1	L66151297	Cover				
5	2	L66151299	Bolt				
6	1	L66151305	Tube				
7	4	004400959R	Nut				
8	1	L66151301	Carburetor				



WWW.LOBEST.HU



L • Best Kft.
Kertigépek és alkatrészek

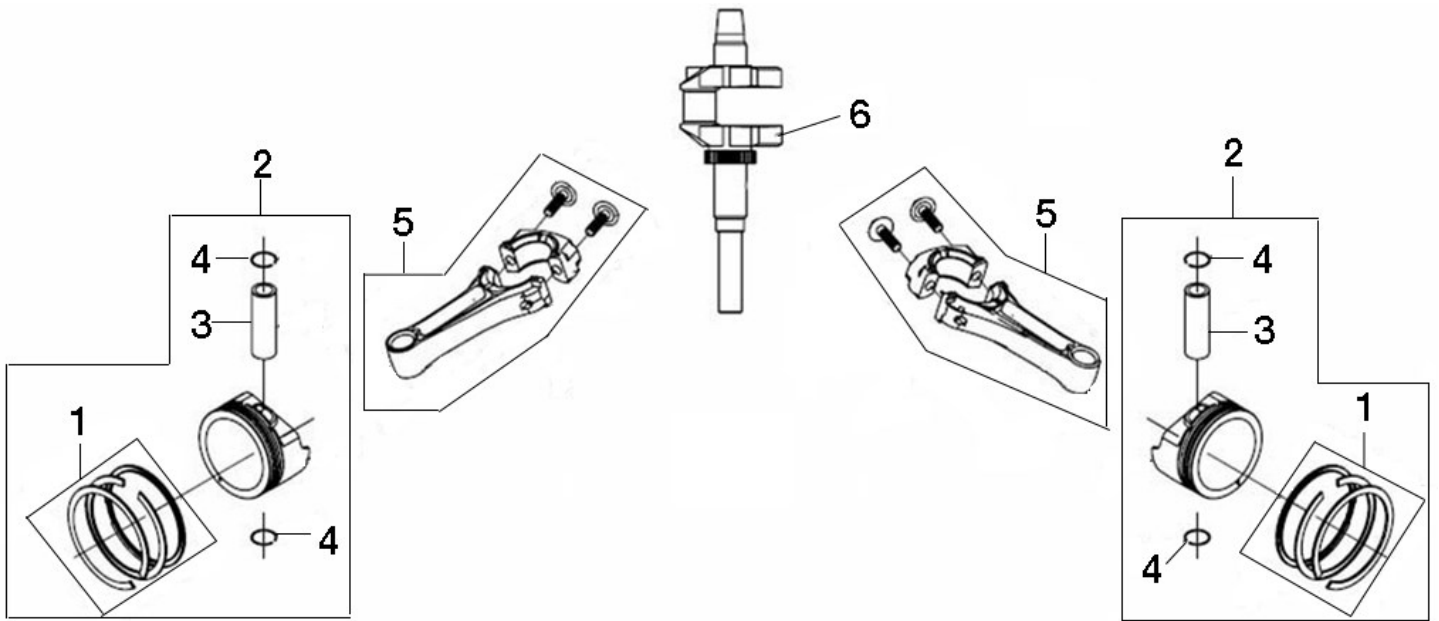
WWW.LOBEST.HU

Illustration Valves

Ref.Nu	Qty	Part number	Description	Validity from	Validity till	Notes	Bulletin
1	2	L66151101	Reed valve kit				
2	4	L66150560	Slide				
3	4	L66150561	Seal ring				
4	4	L66150559	Spring				
5	4	L66150558	Clamp				
6	8	L66150557	Valve				
7	4	L66151102	Compensator				
8	1	L66151103	Camshaft assy				
9	4	L66151104	Valve				
10	4	L66151050	Rod				
11	2	L66151058	Plate				
12	1	L66151080	Compl. top cover			Sinistro; Left	
13	1	L66151079	Compl. top cover			Destro; Right	



WWW.LOBEST.HU



L • **Best** ^{Kft.}
Kertigépek és alkatrészek

WWW.LOBEST.HU

Illustration Crankshaft and piston

Ref.Nu	Qty	Part number	Description	Validity from	Validity till	Notes	Bulletin
1	2	L66151059	Piston ring set				
2	1	L66151064	Piston assy				
3	2	L66151060	Pin				
4	4	L66151061	Clip				
5	2	L66151062	Connecting rod assy				
6	1	L66151063	Crankshaft set				



WWW.LOBEST.HU

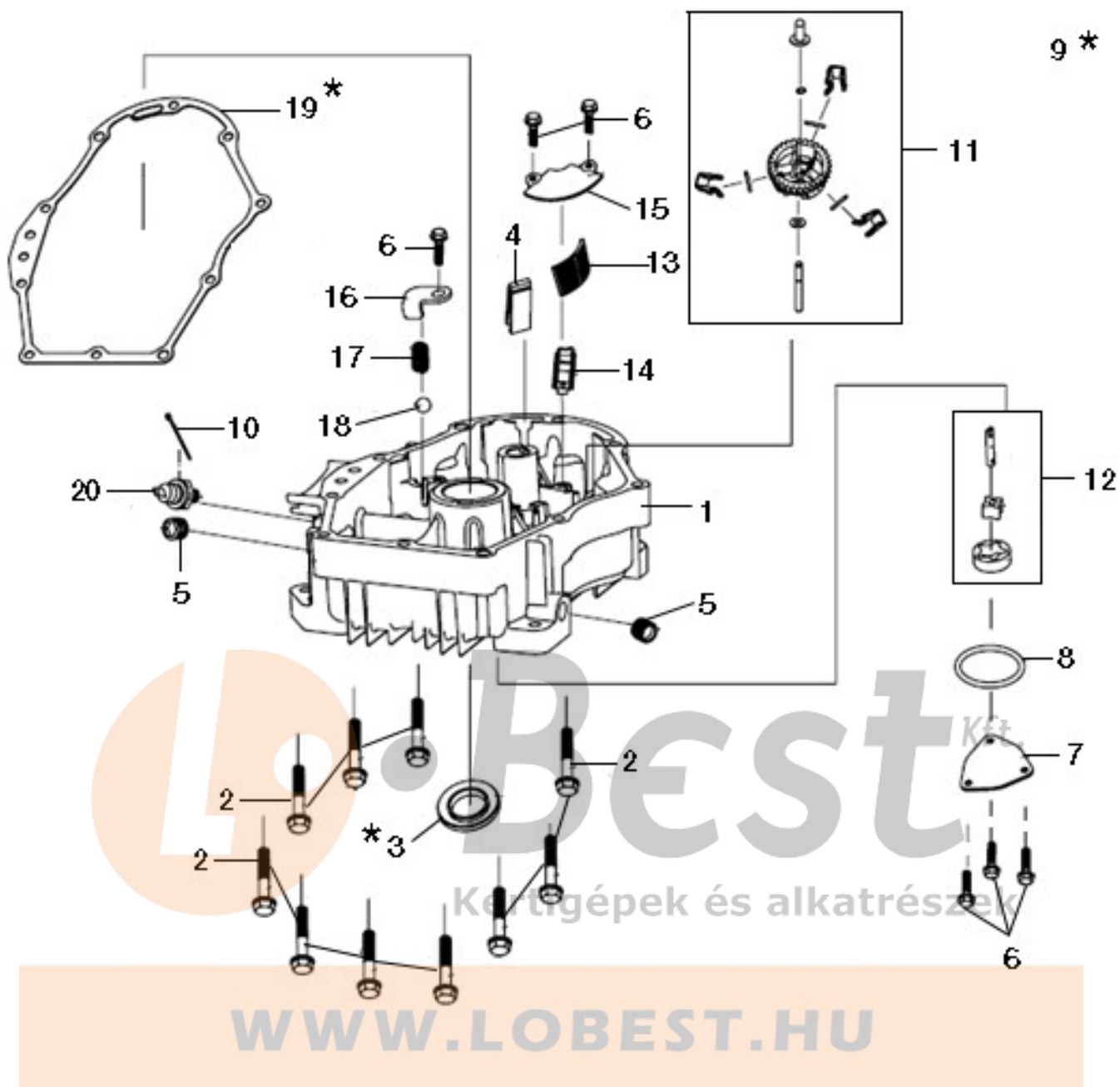
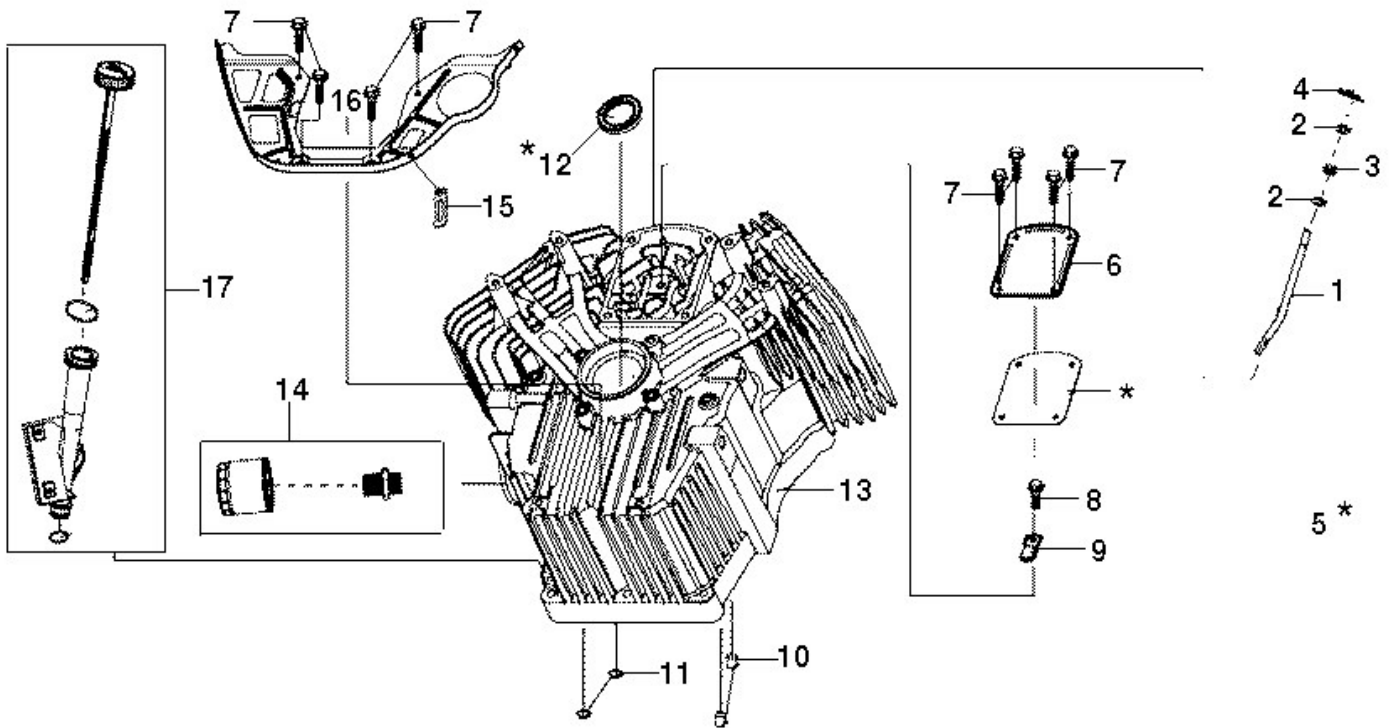


Illustration Crankcase cover

Ref.Nu	Qty	Part number	Description	Validity from	Validity till	Notes	Bulletin
1	1	L66151036	Cover				
2	10	L66150720	Screw				
3	1	L66151037	Oil seal				
4	1	L66150772	Deflector				
5	2	L66150743	Close nipple				
6	6	L66150251	Screw				
7	1	L66151038	Cover				
8	1	L66151039	Seal ring				
9	1	L66151035A	Gasket set				
10	1	L66150505	Clip				
11	1	L66151505	Governor arm shaft				
12	1	L66151040	Oil pump				
13	1	L66151041	Oil filter				
14	1	L66151042	Plate				
15	1	L66151043	Filter cover				
16	1	L66151044	Plate				
17	1	L66151045	Spring				
18	1	L66151046	Ball				
19	1	L66151047	Gasket				
20	1	L66151048	Oil sensor				



WWW.LOBEST.HU



L • Best Kft.
Kertigépek és alkatrészek

WWW.LOBEST.HU

Illustration Cylinder and crankcase

Ref.Nu	Qty	Part number	Description	Validity from	Validity till	Notes	Bulletin
1	1	L66151051	Governor arm shaft				
2	2	L66150824	Washer				
3	1	L66150660	Oil seal				
4	1	L66150353	Plug				
5	1	L66151035A	Gasket set				
6	1	L66151052	Cover				
7	8	L66150251	Screw				
8	1	L66150464	Screw				
9	1	L66151053	Reed valve				
10	2	L66150828	Pin				
11	2	L66150741	O-ring				
12	1	L66150830	Oil seal				
13	1	L66151054	Crankcase assy				
14	1	L66151055	Oil filter				
15	1	L66150480	Cable				
16	1	L66151056	Guard				
17	1	L66151057	Complete cap				



WWW.LOBEST.HU