

OM 86R/14,5 K Cat. 2024 Garden tractor



Documents

Mulching Kit

Grassbag

Mowing deck

Engine

Tank

Transmission

Frame

Front axle

Steering arm

Rear axle

Seat

Cutting plate lifting

Electrical parts

Body

Towing hitch

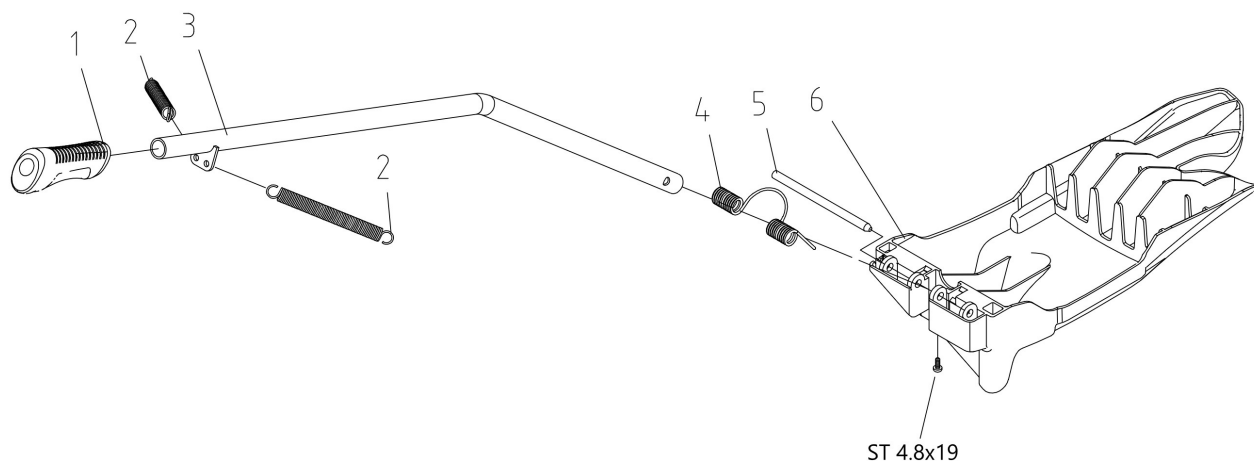
Labels

Starter, carburettor and air filter

Motor assy



WWW.LOBEST.HU



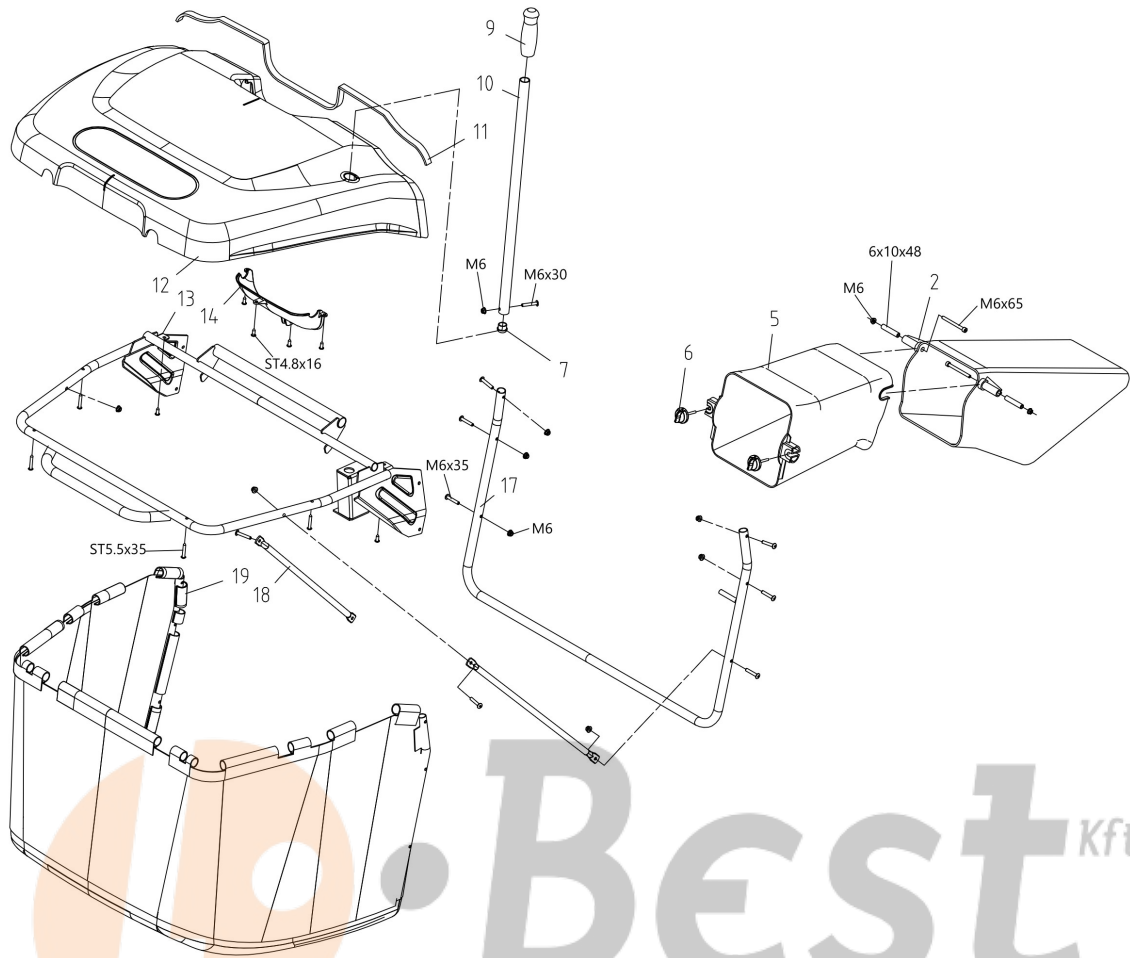
WWW.LOBEST.HU

Illustration Mulching Kit

| Ref.Nu | Qty | Part number | Description | Validity from | Validity till | Notes | Bulletin |
|--------|-----|-------------|-------------|---------------|---------------|-------|----------|
| 1 | 1 | TS000047R | Knob | | | | |
| 2 | 2 | TS000048R | Spring | | | | |
| 3 | 1 | TS000049R | Handle | | | | |
| 4 | 1 | TS000050R | Spring | | | | |
| 5 | 1 | TS000051R | Pin | | | | |
| 6 | 1 | TS000001R | Deflector | | | | |



WWW.LOBEST.HU



LOBEST Kft.
Kertigépek és alkatrészek

WWW.LOBEST.HU

Illustration Grassbag

| Ref.Nu | Qty | Part number | Description | Validity from | Validity till | Notes | Bulletin |
|--------|-----|-------------|-----------------|---------------|---------------|----------|----------|
| 2 | 1 | TS000052R | Exhaust | | | | |
| 5 | 1 | TS000053R | Exhaust pipe | | | | |
| 6 | 2 | TS000054R | Screw | | | | |
| 7 | 1 | TS000055R | Cap | | | | |
| 9 | 1 | TS000056R | Knob | | | | |
| 10 | 1 | TS000057R | Lever | | | | |
| 11 | 1 | TS000058R | Gasket | | | | |
| 12 | 1 | TS000004R | Grass-bag cover | | | | |
| 13 | 1 | TS000059R | Frame | | | | |
| 14 | 1 | TS000060R | Cover | | | | |
| 17 | 1 | TS000061R | Frame | | | | |
| 18 | 2 | TS000062R | Bracket | | | | |
| 19 | 1 | TS000380R | Grass collector | | | Oleo-Mac | |



WWW.LOBEST.HU

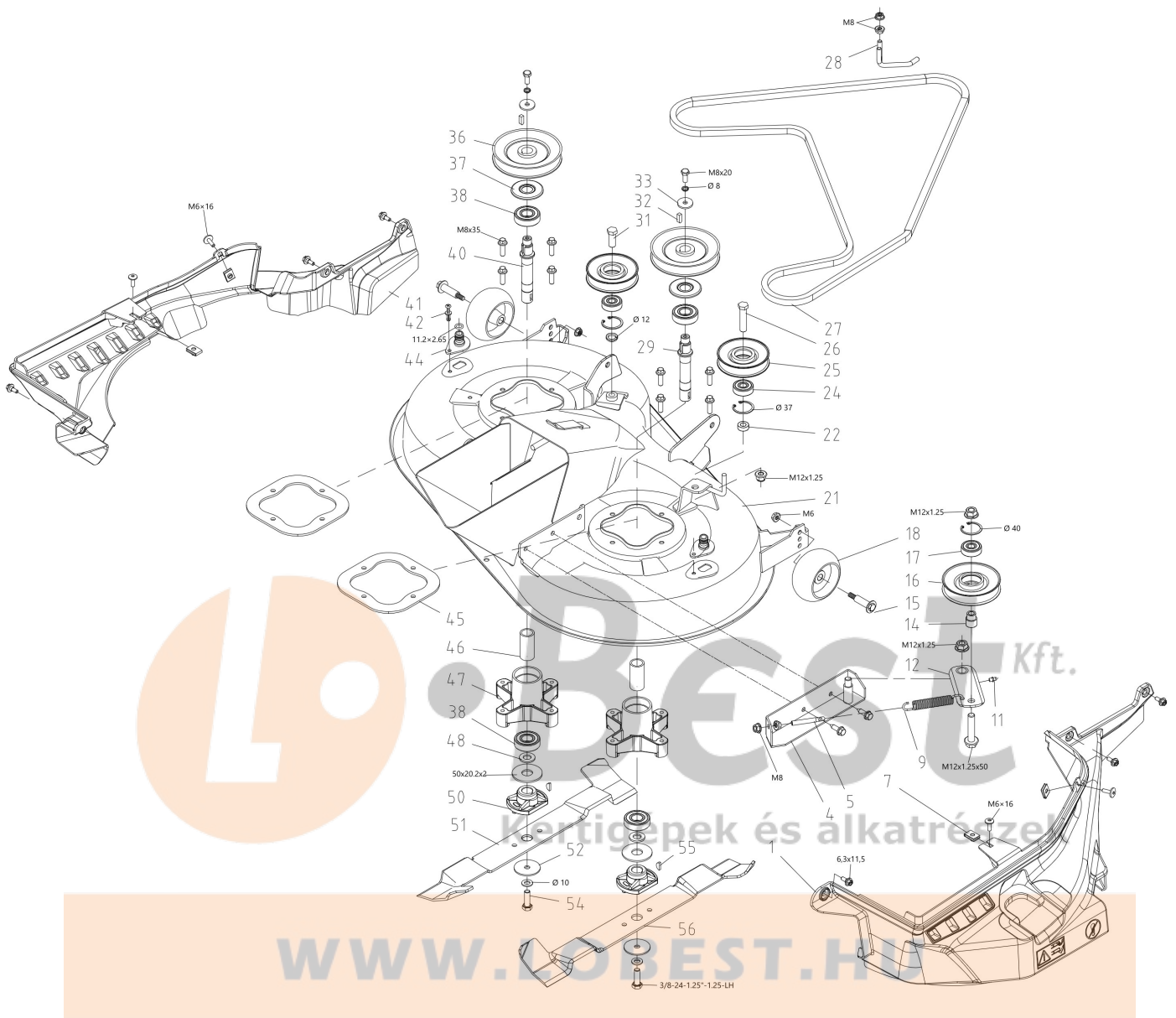
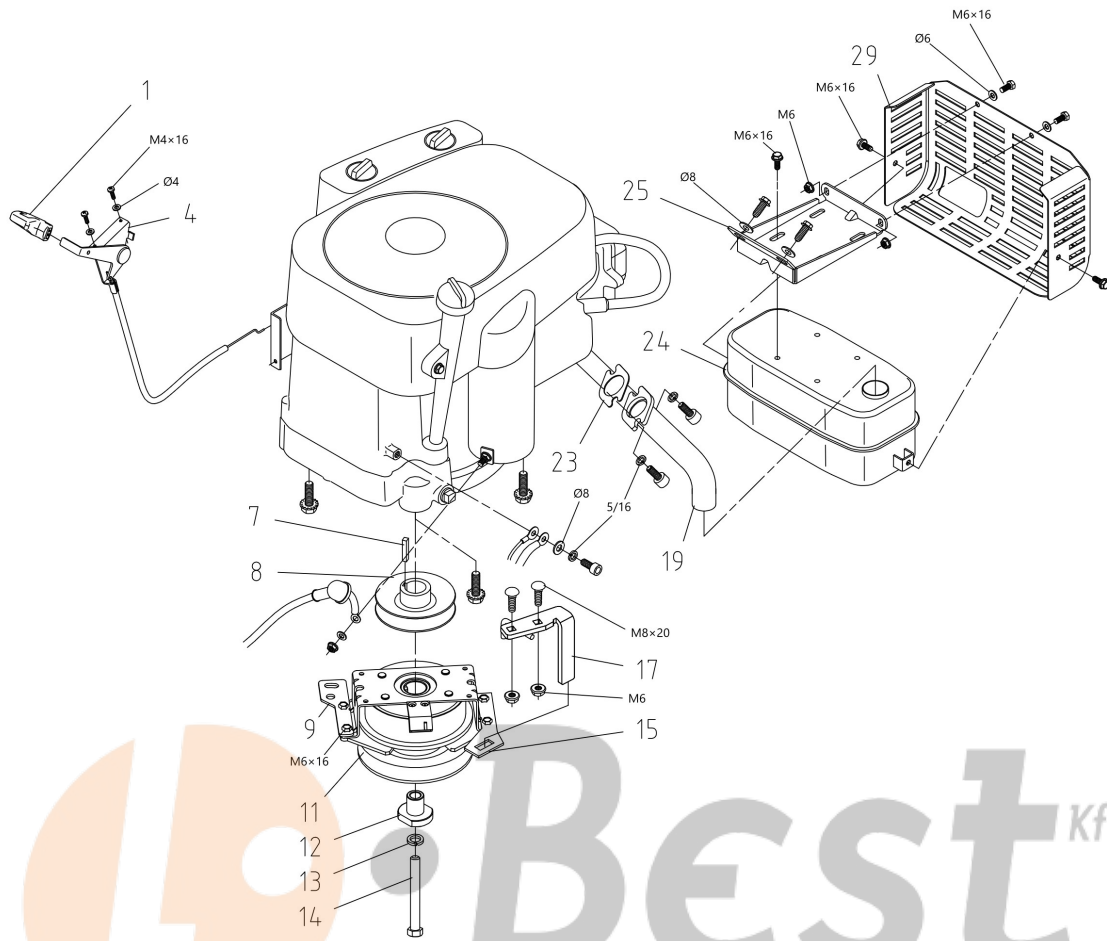


Illustration Mowing deck

| Ref.Nu | Qty | Part number | Description | Validity from | Validity till | Notes | Bulletin |
|--------|-----|-------------|-----------------------|---------------|---------------|-------|----------|
| 1 | 1 | TS000063R | Belt cover | | | | |
| 4 | 1 | TS000064R | Bracket | | | | |
| 5 | 1 | TS000065R | Screw | | | | |
| 7 | 4 | TS000066R | Clamp | | | | |
| 9 | 1 | TS000067R | Spring | | | | |
| 11 | 1 | TS000068R | Nipple | | | | |
| 12 | 1 | TS000069R | Lever | | | | |
| 14 | 1 | TS000070R | Bushing | | | | |
| 15 | 2 | TS000071R | Screw | | | | |
| 16 | 1 | TS000072R | Pulley | | | | |
| 17 | 1 | TS000073R | Bearing | | | | |
| 18 | 2 | TS000074R | Wheel | | | | |
| 21 | 1 | TS000075R | Mowing deck | | | | |
| 22 | 1 | TS000076R | Bushing | | | | |
| 24 | 2 | TS000005R | Bearing | | | | |
| 25 | 2 | TS000006R | Pulley | | | | |
| 26 | 1 | TS000077R | Screw | | | | |
| 27 | 1 | TS000078R | Belt | | | | |
| 28 | 1 | TS000079R | Bracket | | | | |
| 29 | 1 | TS000080R | Blade shaft | | | | |
| 31 | 1 | TS000081R | Screw | | | | |
| 32 | 2 | TS000082R | Key | | | | |
| 33 | 2 | TS000083R | Washer | | | | |
| 36 | 2 | TS000084R | Pulley | | | | |
| 37 | 2 | TS000085R | Disc (guard) | | | | |
| 38 | 4 | TS000086R | Bearing | | | | |
| 40 | 1 | TS000087R | Blade shaft | | | | |
| 41 | 1 | TS000088R | Belt cover | | | | |
| 42 | 2 | TS000089R | Rivet | | | | |
| 44 | 2 | TS000090R | Water hose connection | | | | |
| 45 | 2 | TS000091R | Plate | | | | |
| 46 | 2 | TS000092R | Tube | | | | |
| 47 | 2 | TS000093R | Support | | | | |
| 48 | 2 | TS000094R | Spacer | | | | |
| 50 | 2 | TS000095R | Blade hub | | | | |
| 51 | 1 | TS000096R | Blade left | | | | |
| 52 | 2 | TS000097R | Washer | | | | |
| 54 | 1 | TS000098R | Screw | | | | |
| 55 | 2 | TS000099R | Key | | | | |
| 56 | 1 | TS000100R | Blade right | | | | |



LOBEST Kft.
Kertigépek és alkatrészek

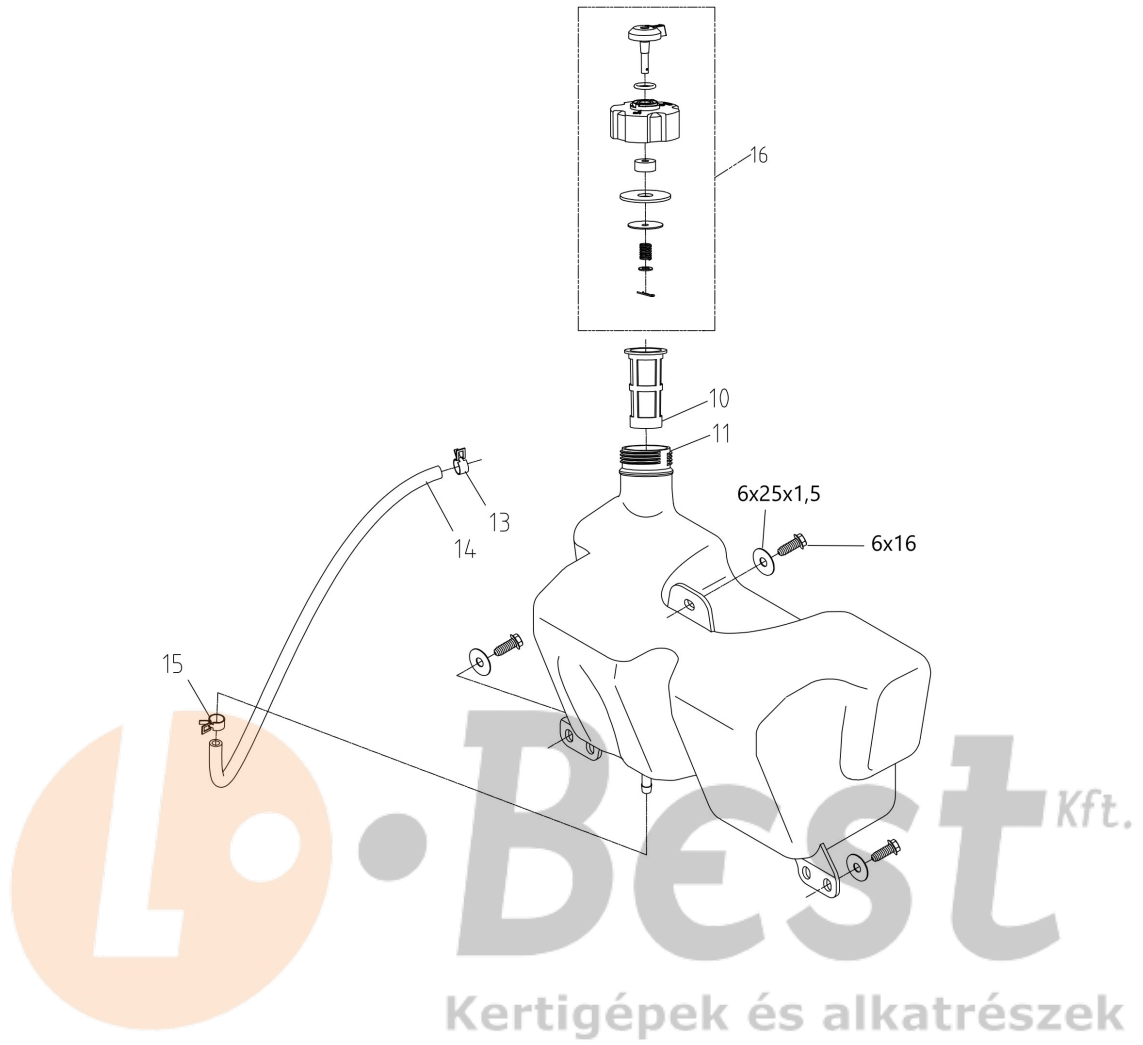
WWW.LOBEST.HU

Illustration Engine

| Ref.Nu | Qty | Part number | Description | Validity from | Validity till | Notes | Bulletin |
|--------|-----|-------------|----------------|---------------|---------------|--|----------|
| 1 | 1 | TS000147R | Knob | | | | |
| 4 | 1 | TS000008R | Throttle cable | | | | |
| 7 | 1 | TS000009R | Key | | | | |
| 8 | 1 | TS000148R | Pulley | | | Motore 12,5 KM - Engine | |
| 8 | 1 | TS000159R | Pulley | | | Motore 14,5 K / 16 K - Engine 14,5 K / 16 K | |
| 9 | 1 | TS000010R | Support | | | | |
| 11 | 1 | TS000149R | Clutch | | | | |
| 12 | 1 | TS000150R | Bushing | | | | |
| 13 | 1 | TS000151R | Thickness | | | | |
| 14 | 1 | TS000152R | Bolt | | | | |
| 15 | 1 | TS000153R | Plate | | | | |
| 17 | 1 | TS000154R | Bracket | | | Motore 12,5 KM - Engine | |
| 17 | 1 | TS000160R | Bracket | | | Motore 14,5 K / 16 K - Engine 14,5 K / 16 K | |
| 19 | 1 | TS000155R | Exhaust pipe | | | | |
| 23 | 1 | TS000156R | Gasket | | | | |
| 24 | 1 | TS000157R | Muffler | | | | |
| 25 | 1 | TS000158R | Support | | | | |
| 29 | 1 | TS000011R | Grid | | | | |



WWW.LOBEST.HU



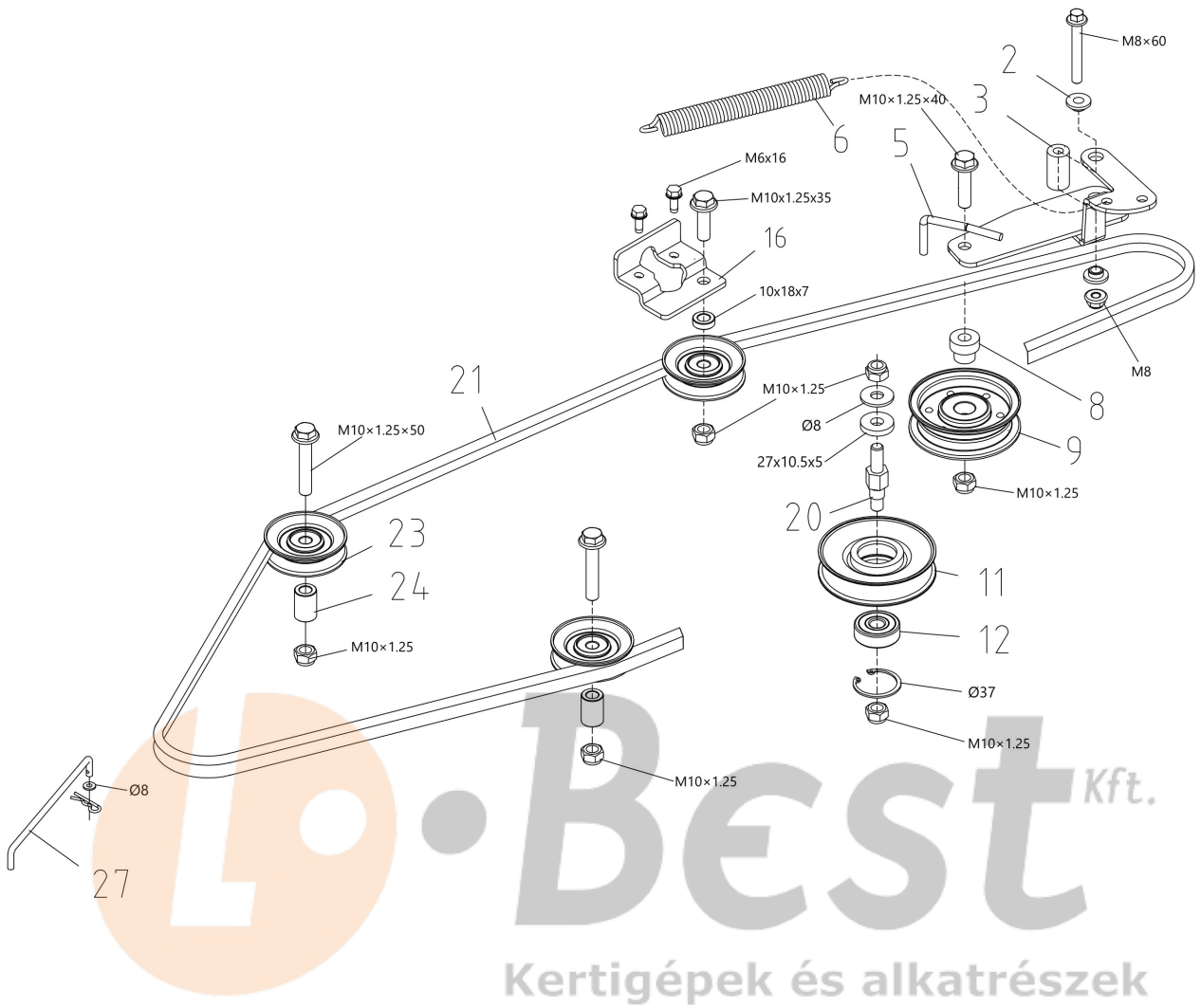
WWW.LOBEST.HU

Illustration Tank

| Ref.Nu | Qty | Part number | Description | Validity from | Validity till | Notes | Bulletin |
|--------|-----|-------------|-------------|---------------|---------------|-------|----------|
| 10 | 1 | TS000012R | Filter | | | | |
| 11 | 1 | TS000161R | Tank | | | | |
| 13 | 1 | TS000162R | Band | | | | |
| 14 | 1 | TS000163R | Fuel hose | | | | |
| 15 | 1 | TS000164R | Band | | | | |
| 16 | 1 | TS000013R | Tank cap | | | | |



WWW.LOBEST.HU



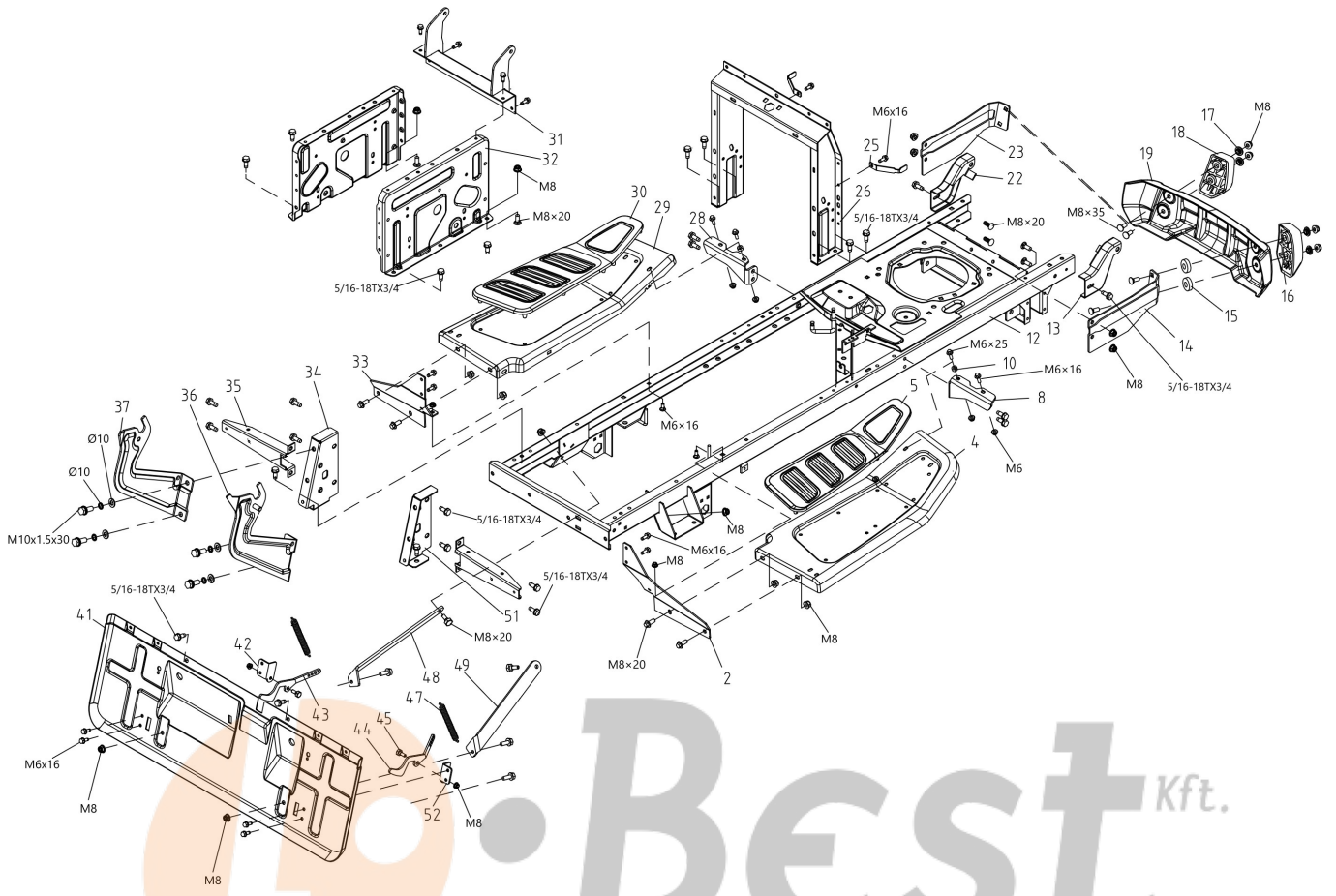
WWW.LOBEST.HU

Illustration Transmission

| Ref.Nu | Qty | Part number | Description | Validity from | Validity till | Notes | Bulletin |
|--------|-----|-------------|--------------|---------------|---------------|-------|----------|
| 2 | 2 | TS000173R | Bushing | | | | |
| 3 | 1 | TS000253R | Spacer | | | | |
| 5 | 1 | TS000255R | Support | | | | |
| 6 | 1 | TS000130R | Spring | | | | |
| 8 | 1 | TS000122R | Bushing | | | | |
| 9 | 1 | TS000007R | Pulley | | | | |
| 11 | 1 | TS000006R | Pulley | | | | |
| 12 | 1 | TS000005R | Bearing | | | | |
| 16 | 1 | TS000263R | Plate | | | | |
| 20 | 1 | TS000259R | Screw | | | | |
| 21 | 1 | TS000025R | Belt | | | | |
| 23 | 3 | TS000023R | Pulley | | | | |
| 24 | 2 | TS000260R | Bushing | | | | |
| 27 | 1 | TS000264R | Guide pulley | | | | |



WWW.LOBEST.HU



Best Kft.
Kertigépek és alkatrészek

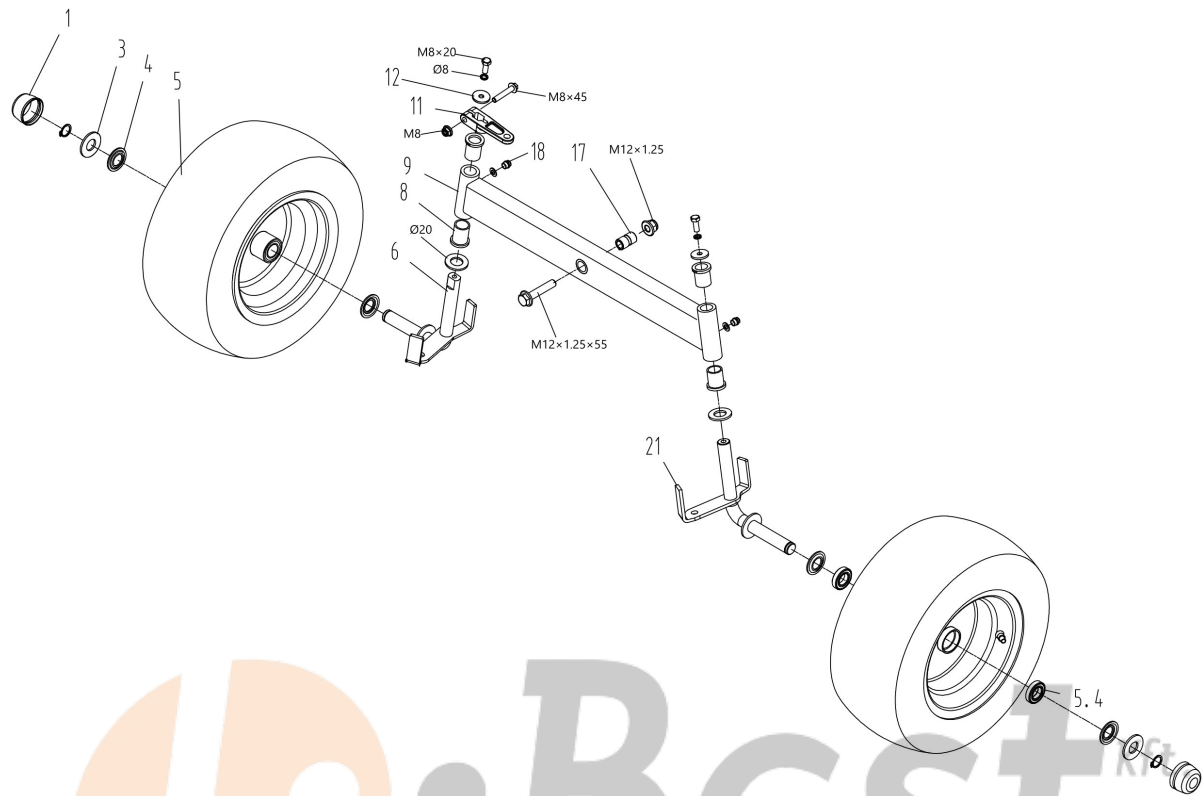
WWW.LOBEST.HU

Illustration Frame

| Ref.Nu | Qty | Part number | Description | Validity from | Validity till | Notes | Bulletin |
|--------|-----|-------------|-------------------------|---------------|---------------|-------|----------|
| 2 | 1 | TS000165R | Right footboard support | | | | |
| 4 | 1 | TS000166R | Footrest pad | | | | |
| 5 | 1 | TS000167R | Right footboard cover | | | | |
| 8 | 1 | TS000168R | Right footboard support | | | | |
| 10 | 2 | TS000169R | Bushing | | | | |
| 12 | 1 | TS000170R | Frame | | | | |
| 13 | 1 | TS000171R | Hood support RX | | | | |
| 14 | 1 | TS000172R | Support | | | | |
| 15 | 4 | TS000014R | Washer | | | | |
| 16 | 1 | TS000015R | Bumper | | | | |
| 17 | 4 | TS000173R | Bushing | | | | |
| 18 | 1 | TS000016R | Bumper | | | | |
| 19 | 1 | TS000017R | Lower hood | | | | |
| 22 | 1 | TS000174R | Support | | | | |
| 23 | 1 | TS000175R | Support | | | | |
| 25 | 2 | TS000176R | Plate | | | | |
| 26 | 1 | TS000177R | Column support | | | | |
| 28 | 1 | TS000178R | Left footboard support | | | | |
| 29 | 1 | TS000179R | Footrest pad | | | | |
| 30 | 1 | TS000180R | Left footboard cover | | | | |
| 31 | 1 | TS000181R | Frame | | | | |
| 32 | 2 | TS000182R | Seat support | | | | |
| 33 | 1 | TS000183R | Left footboard support | | | | |
| 34 | 1 | TS000184R | Support | | | | |
| 35 | 2 | TS000185R | Support | | | | |
| 36 | 1 | TS000186R | Support | | | | |
| 37 | 1 | TS000187R | Support | | | | |
| 41 | 1 | TS000188R | Support | | | | |
| 42 | 1 | TS000189R | Bracket | | | | |
| 43 | 1 | TS000190R | Hook | | | | |
| 44 | 1 | TS000191R | Hook | | | | |
| 45 | 2 | TS000192R | Screw | | | | |
| 47 | 2 | TS000193R | Spring | | | | |
| 48 | 1 | TS000194R | Left bracket | | | | |
| 49 | 1 | TS000195R | Right bracket | | | | |
| 51 | 1 | TS000196R | Support | | | | |
| 52 | 1 | TS000197R | Bracket | | | | |

Best Kft.
Kertigépek és alkatrészek

WWW.LOBEST.HU



L • Best
Kertigépek és alkatrészek

WWW.LOBEST.HU

Illustration Front axle

| Ref.Nu | Qty | Part number | Description | Validity from | Validity till | Notes | Bulletin |
|--------|-----|-------------|----------------|---------------|---------------|-------|----------|
| 1 | 2 | TS000198R | Hub cap | | | | |
| 3 | 2 | TS000199R | Washer | | | | |
| 4 | 4 | TS000200R | Spacer | | | | |
| 5 | 2 | TS000018R | Complete wheel | | | | |
| 5,4 | 4 | TS000204R | Bearing | | | | |
| 6 | 1 | TS000019R | Pin | | | | |
| 8 | 4 | TS000020R | Bushing | | | | |
| 9 | 1 | TS000205R | Front axle | | | | |
| 11 | 1 | TS000021R | Lever | | | | |
| 12 | 2 | TS000083R | Washer | | | | |
| 17 | 1 | TS000206R | Spacer | | | | |
| 18 | 2 | TS000068R | Nipple | | | | |
| 21 | 1 | TS000022R | Pin | | | | |



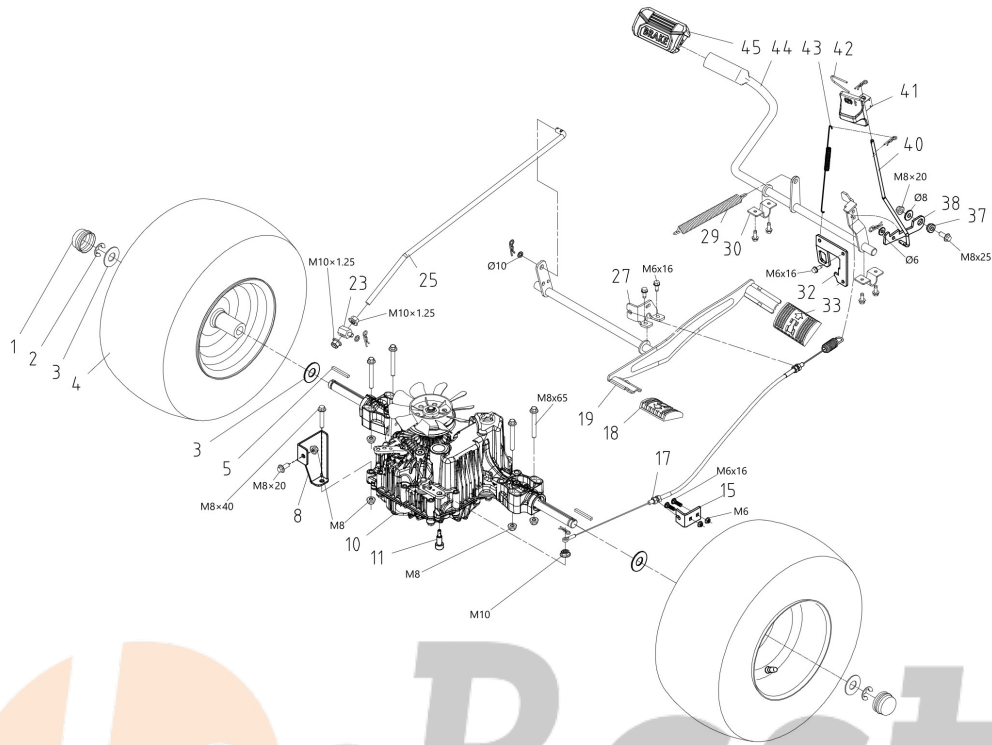
WWW.LOBEST.HU

Illustration Steering arm

| Ref.Nu | Qty | Part number | Description | Validity from | Validity till | Notes | Bulletin |
|--------|-----|-------------|----------------|---------------|---------------|------------------|----------|
| 1 | 1 | TS000267R | Angle joint | | | | |
| 3 | 1 | TS000268R | Tie rod | | | | |
| 5 | 1 | TS000269R | Plate | | | | |
| 8 | 1 | TS000270R | Sleeve | | | | |
| 9 | 1 | TS000271R | Bushing | | | | |
| 10 | 1 | TS000272R | Snap ring | | | | |
| 11 | 1 | TS000273R | Steering arm | | | | |
| 13 | 2 | TS000274R | Bushing | | | | |
| 14 | 1 | TS000275R | Tie rod | | | | |
| 16 | 1 | TS000026R | Sprocket | | | | |
| 17 | 1 | TS000276R | Pin | | | | |
| 19 | 1 | TS000378R | Bushing | | | | |
| 20 | 1 | TS000277R | Bushing | | | | |
| 21 | 1 | TS000278R | Cotter pin | | | | |
| 22 | 1 | TS000279R | Fixing plate | | | | |
| 23 | 2 | TS000280R | Bushing | | | | |
| 24 | 1 | TS000027R | Sector | | | | |
| 25 | 1 | TS000281R | Fixing plate | | | | |
| 26 | 1 | TS000282R | Angle joint | | | | |
| 28 | 1 | TS000283R | Spacer | | | | |
| 30 | 1 | TS000284R | Steering wheel | | | | |
| 31 | 1 | TS000028R | Support | | | | |
| 32 | 1 | TS000379R | Washer | | | | |
| 33 | 1 | TS000376R | Cover | | | Arancio - Orange | |



WWW.LOBEST.HU



L • Best Kft.
Kertigépek és alkatrészek

WWW.LOBEST.HU

Illustration Rear axle

| Ref.Nu | Qty | Part number | Description | Validity from | Validity till | Notes | Bulletin |
|--------|-----|-------------|-------------------|---------------|---------------|-------|----------|
| 1 | 2 | TS000198R | Hub cap | | | | |
| 2 | 2 | TS000207R | Snap ring | | | | |
| 3 | 4 | TS000199R | Washer | | | | |
| 4 | 2 | TS000212R | Complete wheel | | | | |
| 5 | 2 | TS000210R | Key | | | | |
| 8 | 1 | TS000240R | Plate | | | | |
| 10 | 1 | TS000241R | Transmission | | | | |
| 11 | 1 | TS000242R | Pin | | | | |
| 15 | 1 | TS000243R | Support | | | | |
| 17 | 1 | TS000244R | Brake cable | | | | |
| 18 | 1 | TS000245R | Clamp cover rear | | | | |
| 19 | 1 | TS000246R | Pedal | | | | |
| 23 | 1 | TS000247R | Pin | | | | |
| 25 | 1 | TS000248R | Tie rod | | | | |
| 27 | 1 | TS000249R | Plate | | | | |
| 29 | 1 | TS000250R | Spring | | | | |
| 30 | 2 | TS000231R | Support | | | | |
| 32 | 1 | TS000230R | Support | | | | |
| 33 | 1 | TS000251R | Clamp cover front | | | | |
| 37 | 1 | TS000232R | Bushing | | | | |
| 38 | 1 | TS000233R | Control | | | | |
| 40 | 1 | TS000234R | Control rod | | | | |
| 41 | 1 | TS000235R | Handle | | | | |
| 42 | 1 | TS000236R | Fork | | | | |
| 43 | 1 | TS000237R | Spring | | | | |
| 44 | 1 | TS000238R | Pedal | | | | |
| 45 | 1 | TS000239R | Cover moulding | | | | |

Best Kft.

Kertigépek és alkatrészek

WWW.LOBEST.HU

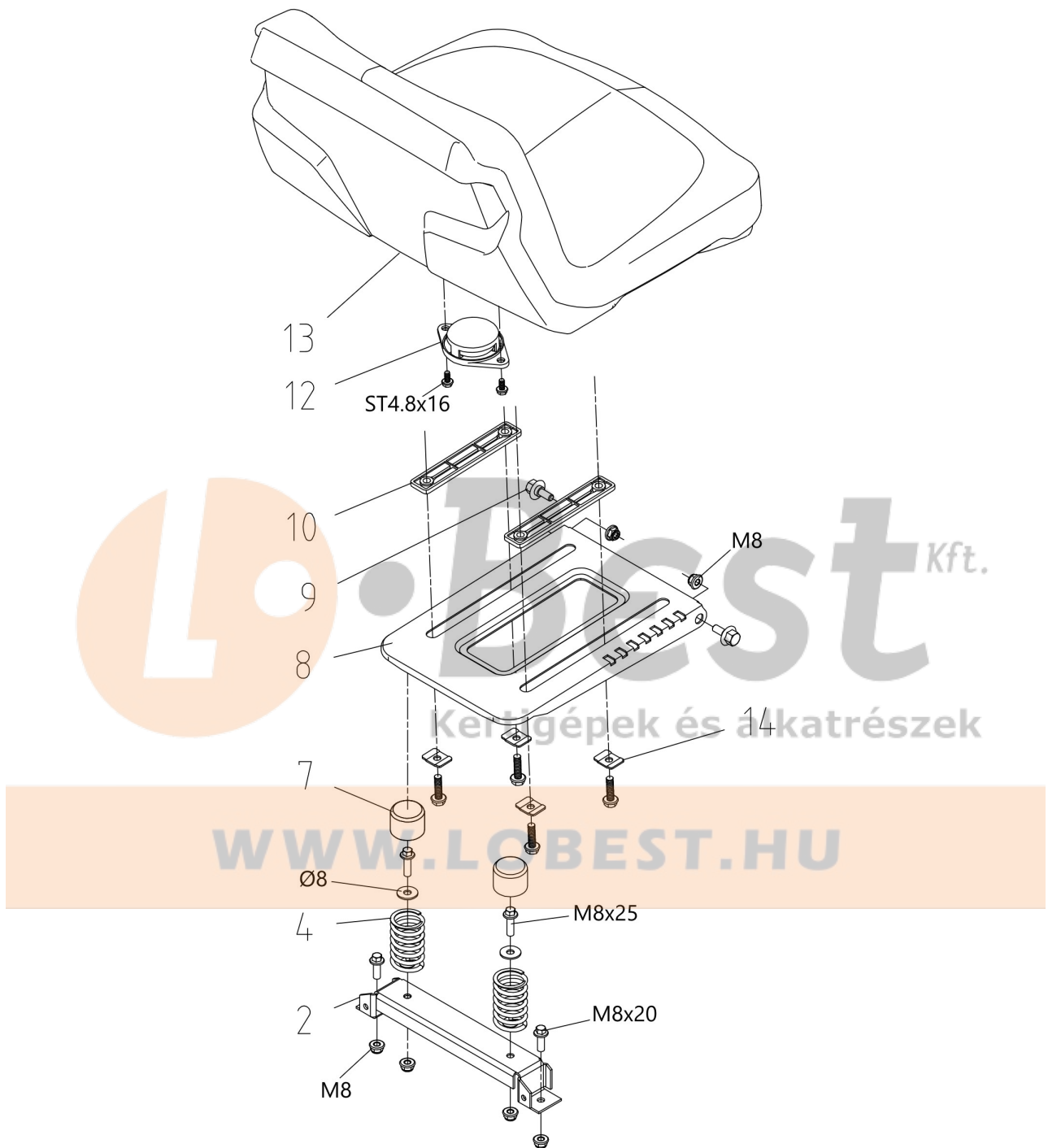
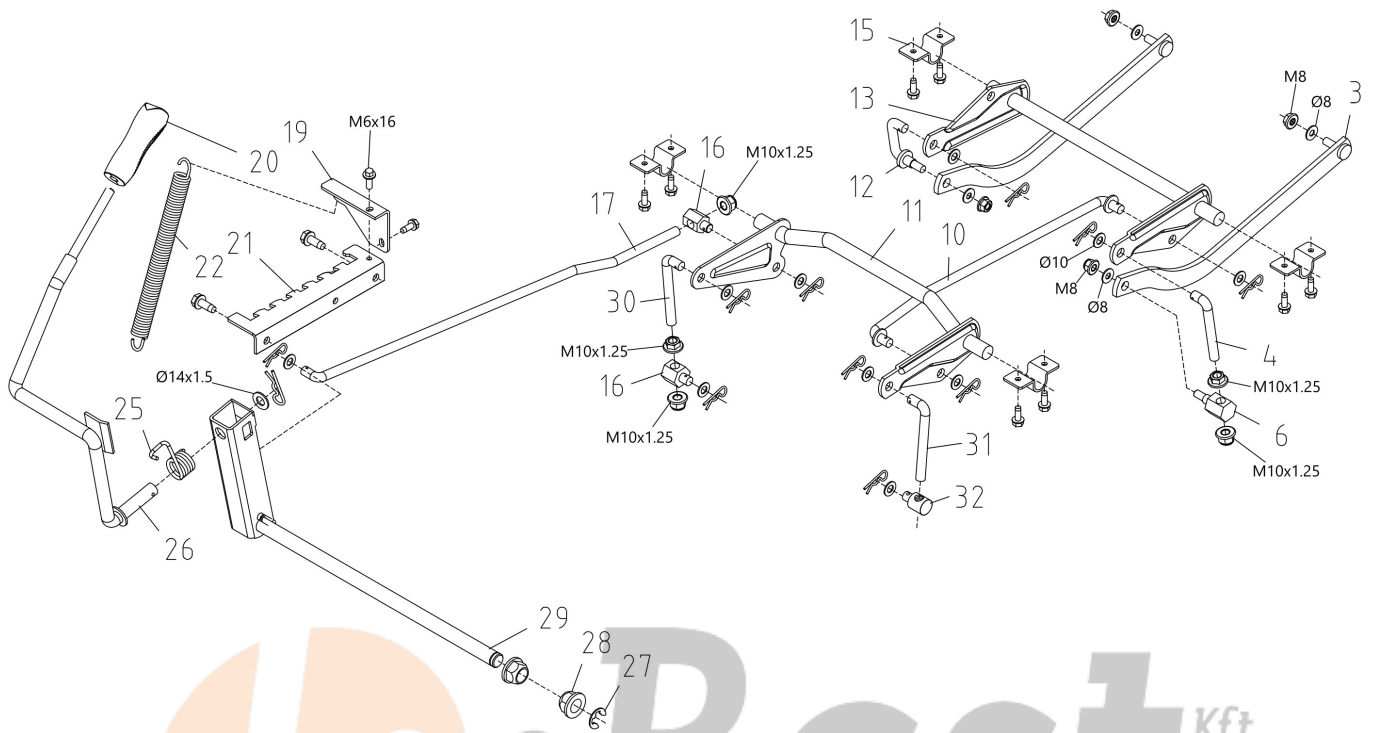


Illustration Seat

| Ref.Nu | Qty | Part number | Description | Validity from | Validity till | Notes | Bulletin |
|--------|-----|-------------|--------------|---------------|---------------|------------------|----------|
| 2 | 1 | TS000285R | Support | | | | |
| 4 | 2 | TS000286R | Spring | | | | |
| 7 | 2 | TS000287R | Cover | | | | |
| 8 | 1 | TS000288R | Seat support | | | | |
| 9 | 2 | TS000289R | Screw | | | | |
| 10 | 2 | TS000290R | Slide | | | | |
| 12 | 1 | TS000029R | Seat switch | | | | |
| 13 | 1 | TS000373R | Seat | | | Arancio - orange | |
| 14 | 4 | TS000291R | Spacer | | | | |



WWW.LOBEST.HU



L • Best Kft.
Kertigépek és alkatrészek

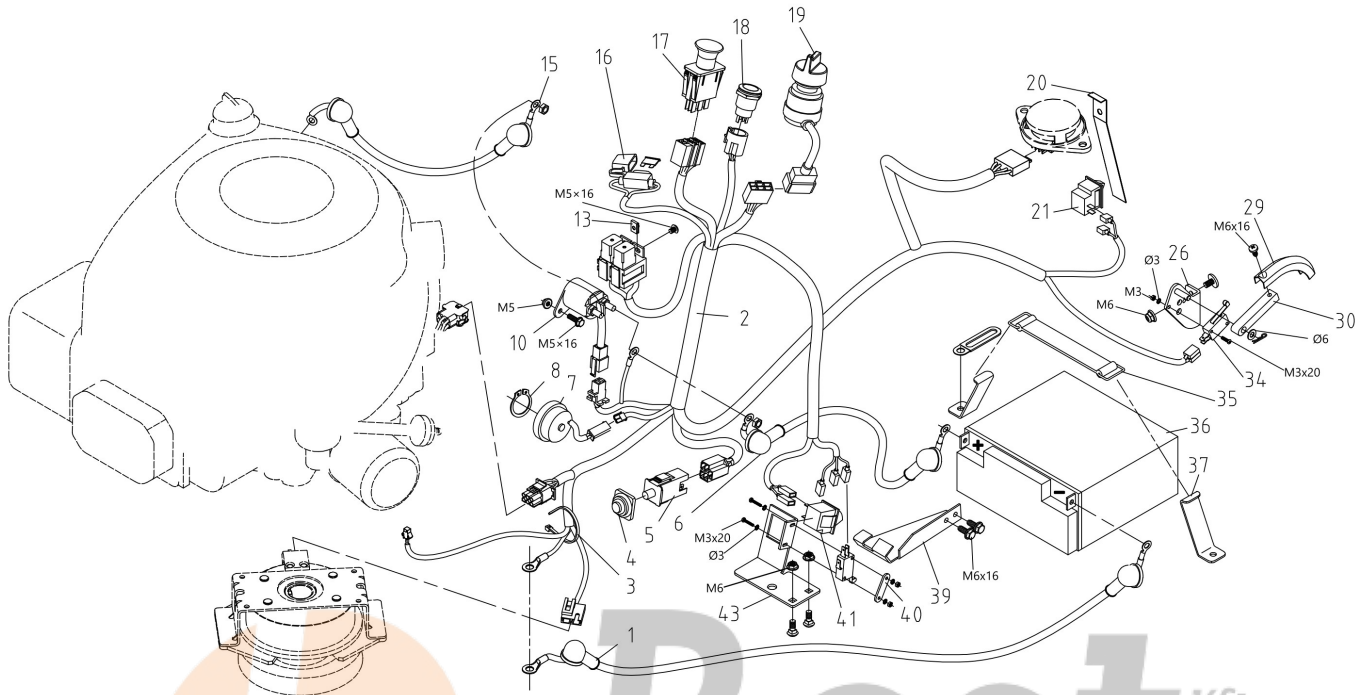
WWW.LOBEST.HU

Illustration Cutting plate lifting

| Ref.Nu | Qty | Part number | Description | Validity from | Validity till | Notes | Bulletin |
|--------|-----|-------------|-------------|---------------|---------------|-------|----------|
| 3 | 2 | TS000292R | Rod | | | | |
| 4 | 1 | TS000293R | Tie rod | | | | |
| 6 | 1 | TS000294R | Angle joint | | | | |
| 10 | 1 | TS000295R | Rod | | | | |
| 11 | 1 | TS000296R | Axel lift | | | | |
| 12 | 1 | TS000297R | Rod | | | | |
| 13 | 1 | TS000298R | Support | | | | |
| 15 | 4 | TS000231R | Support | | | | |
| 16 | 2 | TS000299R | Angle joint | | | | |
| 17 | 1 | TS000300R | Rod | | | | |
| 19 | 1 | TS000301R | Plate | | | | |
| 20 | 1 | TS000226R | Knob | | | | |
| 21 | 1 | TS000030R | Support | | | | |
| 22 | 1 | TS000302R | Spring | | | | |
| 25 | 1 | TS000303R | Spring | | | | |
| 26 | 1 | TS000031R | Lever | | | | |
| 27 | 1 | TS000223R | Snap ring | | | | |
| 28 | 2 | TS000378R | Bushing | | | | |
| 29 | 1 | TS000304R | Lever group | | | | |
| 30 | 1 | TS000305R | Tie rod | | | | |
| 31 | 1 | TS000306R | Tie rod | | | | |
| 32 | 1 | TS000307R | Angle joint | | | | |



WWW.LOBEST.HU



L • Best Kft.
Kertigépek és alkatrészek

WWW.LOBEST.HU

Illustration Electrical parts

| Ref.Nu | Qty | Part number | Description | Validity from | Validity till | Notes | Bulletin |
|--------|-----|-------------|-------------------|---------------|---------------|-------|----------|
| 1 | 1 | TS000314R | Cable | | | | |
| 2 | 1 | TS000335R | Wiring | | | | |
| 3 | 20 | TS000316R | Band | | | | |
| 3 | 5 | TS000317R | Band | | | | |
| 4 | 1 | TS000318R | Switch protection | | | | |
| 5 | 1 | TS000032R | Switch | | | | |
| 6 | 1 | TS000319R | Cable | | | | |
| 7 | 1 | TS000320R | Indicator | | | | |
| 8 | 1 | TS000321R | Snap ring | | | | |
| 10 | 1 | TS000033R | Solenoid | | | | |
| 13 | 1 | TS000323R | Clamp | | | | |
| 15 | 1 | TS000324R | Wire | | | | |
| 16 | 1 | TS000325R | Fuse | | | | |
| 17 | 1 | TS000034R | Switch | | | | |
| 18 | 1 | TS000326R | Switch | | | | |
| 19 | 1 | TS000035R | Shoe | | | | |
| 20 | 1 | TS000327R | Bracket | | | | |
| 21 | 2 | TS000036R | Micro-switch | | | | |
| 26 | 1 | TS000328R | Fixing plate | | | | |
| 29 | 1 | TS000329R | Lever | | | | |
| 30 | 1 | TS000330R | Lever | | | | |
| 34 | 1 | TS000331R | Switch | | | | |
| 35 | 1 | TS000332R | Belt | | | | |
| 36 | 1 | TS000038R | Battery | | | | |
| 37 | 2 | TS000333R | Bracket | | | | |
| 39 | 1 | TS000336R | Control lever | | | | |
| 40 | 1 | TS000337R | Bracket | | | | |
| 41 | 2 | TS000037R | Micro-switch | | | | |
| 43 | 1 | TS000338R | Support | | | | |

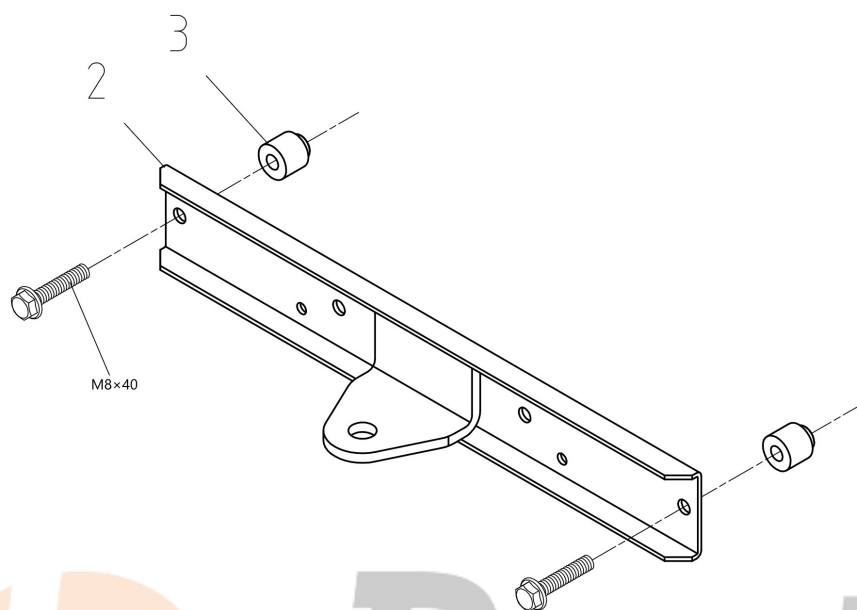
WWW.LOBEST.HU

Illustration Body

| Ref.Nu | Qty | Part number | Description | Validity from | Validity till | Notes | Bulletin |
|--------|-----|-------------|--------------|---------------|---------------|--------------------|----------|
| 1 | 1 | TS000340R | Wiring | | | | |
| 2 | 1 | TS000341R | Adapter | | | | |
| 3 | 1 | TS000342R | Deflector | | | | |
| 4 | 1 | TS000343R | Right guard | | | | |
| 6 | 5 | TS000344R | Fairled | | | | |
| 7 | 1 | TS000361R | Right guard | | | Arancione - orange | |
| 10 | 2 | TS000345R | Pin | | | | |
| 11 | 1 | TS000346R | Headlamp | | | | |
| 12 | 1 | TS000364R | Guard | | | Arancione - orange | |
| 13 | 1 | TS000039R | Upper hood | | | | |
| 14 | 1 | TS000347R | Headlamp | | | | |
| 15 | 1 | TS000367R | Engine cover | | | Arancione - orange | |
| 16 | 1 | TS000370R | Left guard | | | Arancione - orange | |
| 17 | 1 | TS000348R | Left guard | | | | |
| 19 | 1 | TS000349R | Cover | | | | |
| 20 | 4 | TS000350R | AV-mount | | | | |
| 22 | 1 | TS000351R | Dashboard | | | | |
| 23 | 15 | TS000066R | Clamp | | | | |
| 24 | 1 | TS000352R | Panel | | | | |
| 25 | 1 | TS000040R | Cover | | | | |
| 27 | 1 | TS000353R | Housing | | | | |
| 28 | 1 | TS000041R | Wheels cover | | | | |
| 30 | 1 | TS000354R | Housing | | | | |
| 31 | 1 | TS000355R | Panel | | | | |
| 34 | 1 | TS000357R | Lock | | | | |



WWW.LOBEST.HU



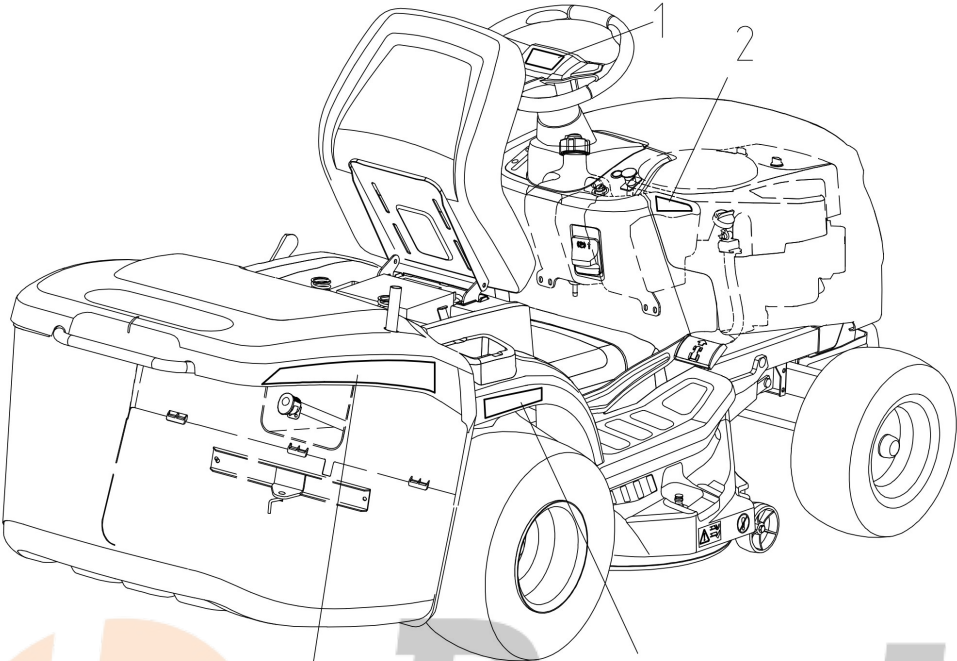
WWW.LOBEST.HU

Illustration Towing hitch

| Ref.Nu | Qty | Part number | Description | Validity from | Validity till | Notes | Bulletin |
|--------|-----|-------------|--------------|---------------|---------------|-------|----------|
| 2 | 1 | TS000358R | Towing hitch | | | | |
| 3 | 2 | TS000359R | Spacer | | | | |



WWW.LOBEST.HU



WWW.LOBEST.HU

Illustration Labels

| Ref.Nu | Qty | Part number | Description | Validity from | Validity till | Notes | Bulletin |
|--------|-----|-------------|-------------|---------------|---------------|-----------------|----------|
| 1 | 1 | TS000406R | Label | | | | |
| 2 | 1 | TS000397R | Label | | | | |
| 3 | 1 | TS000385R | Label | | | 86R/14,5K | |
| 4 | 1 | TS000401R | Label | | | Destra - Right | |
| 4 | 1 | TS000402R | Label | | | Sinistra - Left | |



WWW.LOBEST.HU

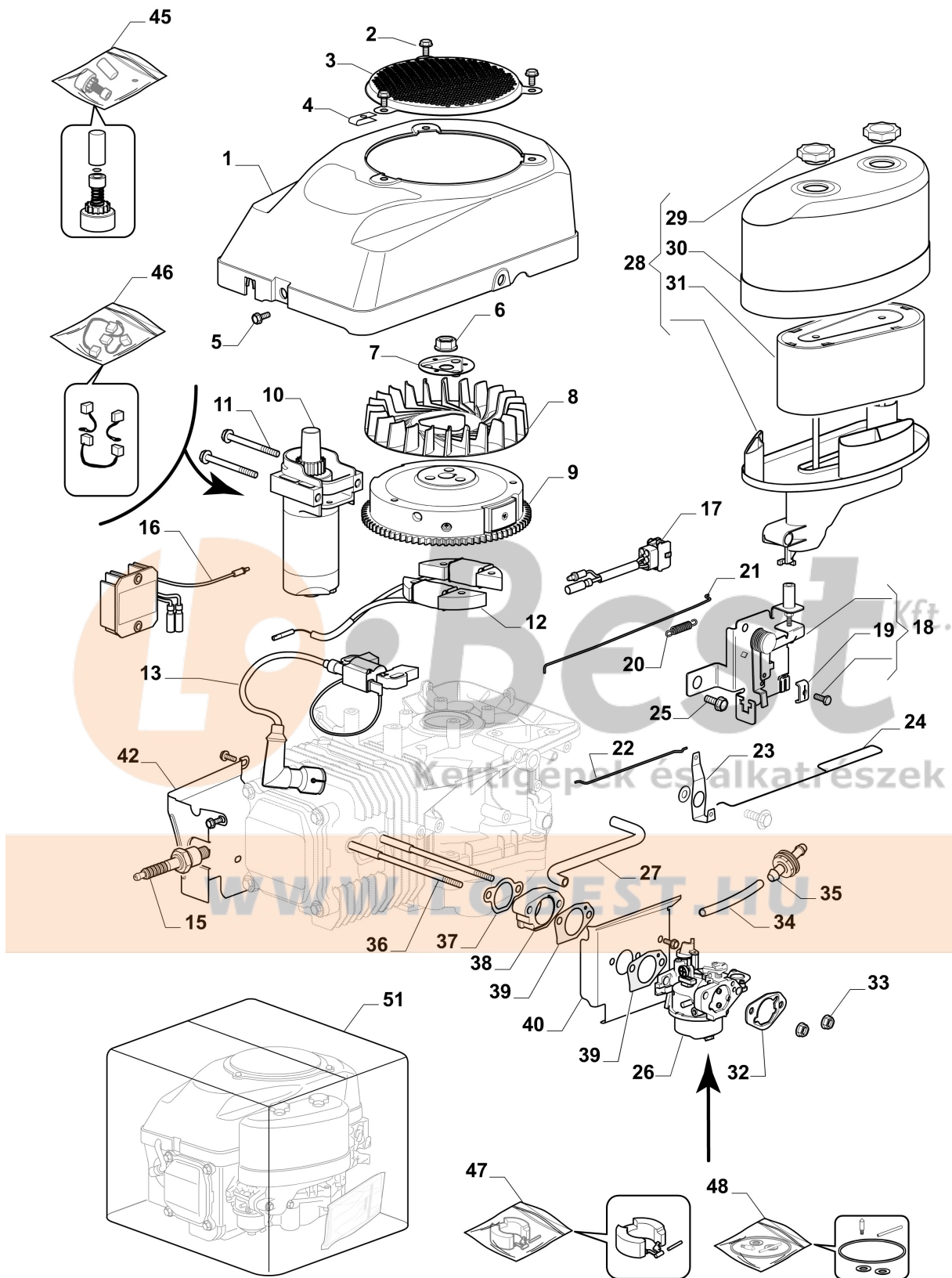


Illustration Starter, carburettor and air filter

| Ref.Nu | Qty | Part number | Description | Validity from | Validity till | Notes | Bulletin |
|--------|-----|---------------|------------------------|---------------|---------------|-------|----------|
| 1 | 1 | G118551261E0 | Cover | | | | |
| 2 | 3 | G112790500E0 | Screw | | | | |
| 3 | 1 | G118550203E0 | Fan cover | | | | |
| 4 | 3 | G118551280E0 | Plate | | | | |
| 5 | 4 | G112791213E1 | Screw | | | | |
| 6 | 1 | G118550237E0 | Nut | | | | |
| 7 | 1 | G118550236E0 | Starter cup | | | | |
| 8 | 1 | G118550235E1 | Flywheel fan | | | | |
| 9 | 1 | G118550234E2 | Flywheel assy | | | | |
| 10 | 1 | G118552635E0R | Start motor assy | | | | |
| 11 | 2 | G112691100E0 | Screw | | | | |
| 12 | 1 | G118551441E0 | Coil assy, charge | | | | |
| 13 | 1 | G118551438E0 | Ignition coil | | | | |
| 15 | 1 | 3055122R | Spark plug | | | | |
| 16 | 1 | G118551428E1 | Governor | | | | |
| 17 | 1 | G118551439E0 | Cable | | | | |
| 18 | 1 | G118550331E1 | Remote control assy | | | | |
| 19 | 1 | G118550212E0 | Fairled | | | | |
| 20 | 1 | G118550213E0 | Spring | | | | |
| 21 | 1 | G118551219E0 | Rod | | | | |
| 22 | 1 | G118551218E0 | Rod | | | | |
| 23 | 1 | G118551267E0 | Bracket | | | | |
| 24 | 1 | G118551221E0 | Throttle rod | | | | |
| 25 | 2 | G118551277E0 | Screw | | | | |
| 26 | 1 | G118551520E0 | Carburetor | | | | |
| 27 | 1 | G118550225E1 | Breather fuel pipe | | | | |
| 28 | 1 | G118551516E0R | Air filter kit | | | | |
| 29 | 2 | G118550201E0 | Knob | | | | |
| 30 | 1 | G118550200E0 | Air filter cover | | | | |
| 31 | 1 | G118550199E0R | Air filter | | | | |
| 32 | 1 | G118550762E0 | Gasket | | | | |
| 33 | 2 | G112154510E0 | Nut | | | | |
| 34 | 1 | G118550432E0 | Fuel pipe | | | | |
| 35 | 1 | G118550427E0 | Fuel filer | | | | |
| 36 | 2 | G118551279E0 | Stud | | | | |
| 37 | 1 | G118551263E0 | Gasket | | | | |
| 38 | 1 | G118551265E0 | Insulator | | | | |
| 39 | 2 | G118551262E0 | Gasket | | | | |
| 40 | 1 | G118551259E0 | Guard | | | | |
| 42 | 1 | G118551260E0 | Guard | | | | |
| 45 | 1 | G118550365E1 | Repair kit | | | | |
| 46 | 1 | G118550332E1 | Brush | | | | |
| 47 | 1 | G118550440E0 | Repair kit | | | | |
| 48 | 1 | G118550442E0 | Carburettor gasket set | | | | |

Best Kft.
Kertigépek és alkatrészek

WWW.LOBEST.HU

Illustration Starter, carburettor and air filter

| Ref.Nu | Qty | Part number | Description | Validity from | Validity till | Notes | Bulletin |
|--------|-----|--------------|----------------|---------------|---------------|-------|----------|
| 51 | 1 | G118550451E1 | Complete motor | | | | |



WWW.LOBEST.HU

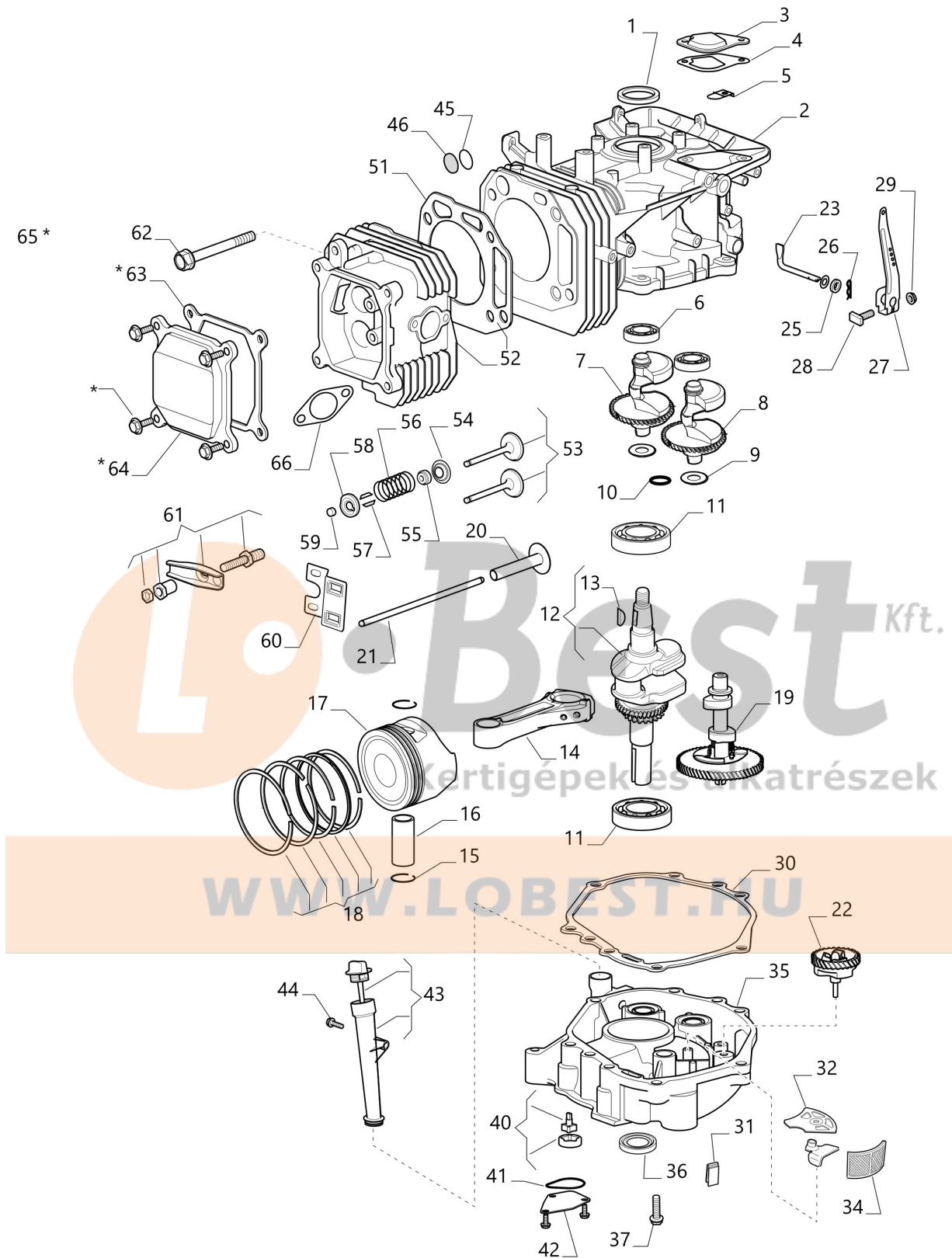


Illustration Motor assy

| Ref.Nu | Qty | Part number | Description | Validity from | Validity till | Notes | Bulletin |
|--------|-----|--------------|---------------------|---------------|---------------|-------|----------|
| 1 | 1 | G118551418E0 | Oil seal | | | | |
| 2 | 1 | G118550451E1 | Complete motor | | | | |
| 3 | 1 | G118551227E0 | Cover | | | | |
| 4 | 1 | G118551229E0 | Gasket | | | | |
| 5 | 1 | G118550303E0 | Breather valve | | | | |
| 6 | 2 | G118551284E0 | Bearing | | | | |
| 7 | 1 | G118551242E0 | Counterweight (red) | | | | |
| 8 | 1 | G118551243E0 | Counterweight (red) | | | | |
| 9 | 2 | G118551282E0 | Washer | | | | |
| 10 | 1 | G118551286E0 | O-ring | | | | |
| 11 | 2 | G118550227E0 | Bearing | | | | |
| 12 | 1 | G118550232E0 | Crankshaft set | | | | |
| 13 | 1 | G118550288E0 | Key | | | | |
| 14 | 1 | G118550231E1 | Connecting rod | | | | |
| 15 | 2 | G118551283E0 | Ring | | | | |
| 16 | 1 | G118551241E0 | Piston pin | | | | |
| 17 | 1 | G118551519E0 | Piston | | | | |
| 18 | 1 | G118551518E0 | Piston ring set | | | | |
| 19 | 1 | G118550243E0 | Camshaft assy | | | | |
| 20 | 2 | G118551252E0 | Valve | | | | |
| 21 | 2 | G118550242E1 | Push rods assy | | | | |
| 22 | 1 | G118550347E0 | Governor assy | | | | |
| 23 | 1 | G118551268E0 | Rod | | | | |
| 25 | 1 | G118551285E0 | Oil seal | | | | |
| 26 | 1 | G118550856E0 | Fork | | | | |
| 27 | 1 | G118551220E0 | Arm assy | | | | |
| 28 | 1 | G118550805E0 | Screw | | | | |
| 29 | 1 | G118550806E0 | Nut | | | | |
| 30 | 1 | G118550355E1 | Gasket | | | | |
| 31 | 1 | G118551258E0 | Buffer | | | | |
| 32 | 1 | G118551257E1 | Cover | | | | |
| 34 | 1 | G118551256E1 | Oil filter | | | | |
| 35 | 1 | G118551207E0 | Crankcase cover | | | | |
| 36 | 1 | G118551418E0 | Oil seal | | | | |
| 37 | 4 | G112691115E0 | Screw | | | | |
| 40 | 1 | G118550224E1 | Oil pump | | | | |
| 41 | 1 | G118551287E0 | Gasket | | | | |
| 42 | 1 | G118550223E0 | Oil pump cover | | | | |
| 43 | 1 | G118550205E2 | Oil filler assy | | | | |
| 44 | 1 | G112674701E0 | Screw | | | | |
| 45 | 1 | G118551230E0 | Ring | | | | |
| 46 | 1 | G118551228E0 | Cover | | | | |
| 51 | 1 | G118551232E0 | Gasket | | | | |
| 52 | 1 | 68050044 | Cylinder head | | | | |

Best Kft.
Kertigépek és alkatrészek

WWW.LOBEST.HU

Illustration Motor assy

| Ref.Nu | Qty | Part number | Description | Validity from | Validity till | Notes | Bulletin |
|--------|-----|--------------|----------------------------|------------------|---------------|-------|---------------|
| 53 | 1 | G118551289E0 | Suction/delivery valve kit | | | | |
| 54 | 2 | G118551245E0 | Slide | | | | |
| 55 | 2 | G118551248E0 | Gasket | | | | |
| 56 | 2 | G118550529E0 | Valves spring | | | | |
| 57 | 4 | G118551247E0 | Valve | | | | |
| 58 | 2 | G118551246E0 | Slide | | | | |
| 59 | 2 | G118551244E0 | Cap | | | | |
| 60 | 1 | G118551254E0 | Plate | | | | |
| 61 | 1 | G118551249E0 | Compensator | | | | |
| 62 | 4 | G118551278E0 | Screw | | | | |
| 63 | 1 | L66151483 | Set cover | Settembre 2019 / | | | BT8-020-04/20 |
| 64 | 1 | G118551534E0 | Cover | September 2019 / | | | BT8-020-04/20 |
| 65 | 4 | L66151483 | Set cover | Settembre 2019 / | | | BT8-020-04/20 |
| 66 | 1 | G118551272E0 | Gasket | September 2019 | | | |



WWW.LOBEST.HU